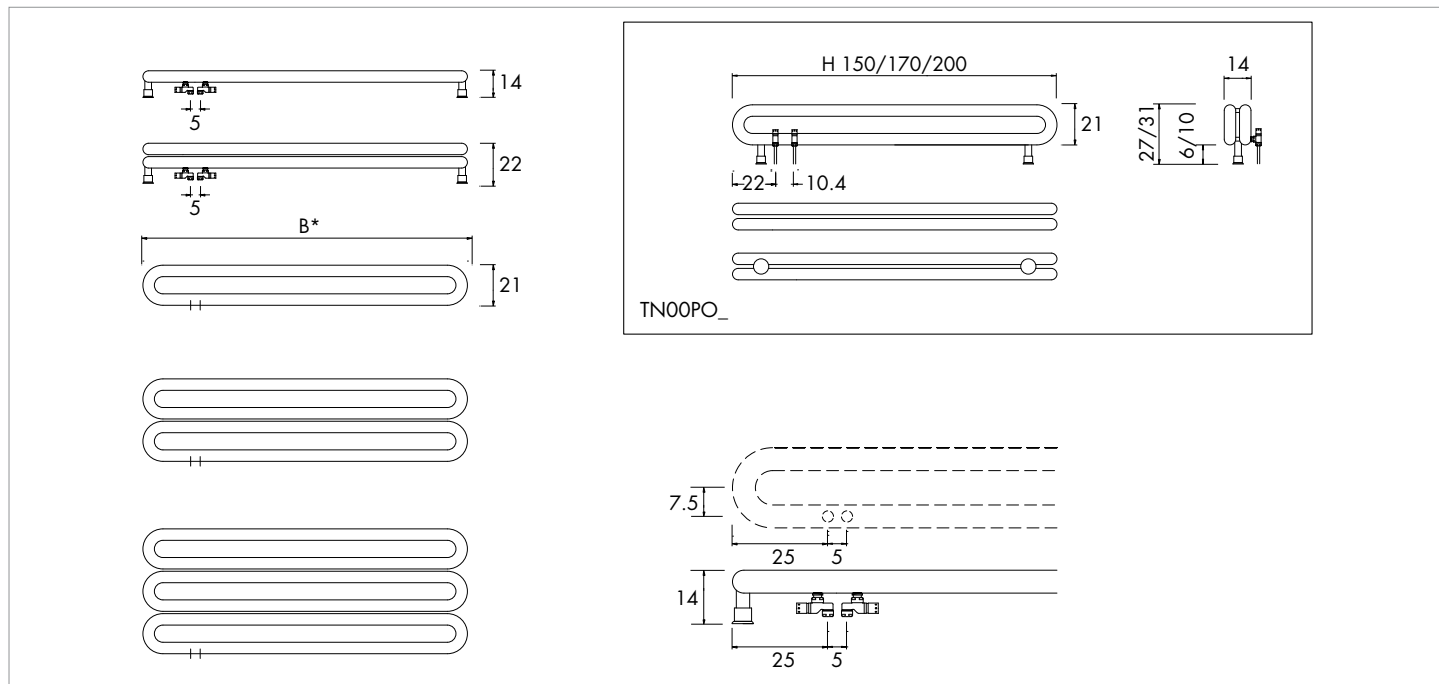
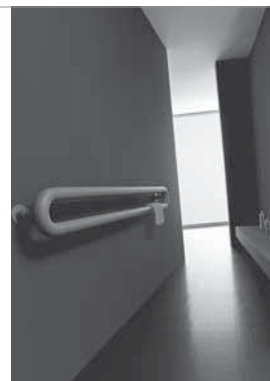




DESIGN ANDREA CROSETTA **Tubone - O**

Tubone est disponible à mesure de 100 cm jusqu'au 200 cm.  
Le prix doit être calculé en ajoutant **300•** à la ranche de prix concernant la mesure supérieur standard.  
Der Heizkörper Tubone ist verfügbar in verschiedene Ausmaße (Min. 100 cm und max. 200 cm). Um den Preis zu rechnen, der Aufpreis von **300•** an die Gruppe der höheren Kategorie hinzufügen.  
Tubone es disponible a medida de 100 cm hasta 200 cm. El precio tiene que ser calculado añadiendo **300•** al precio de la medida estándar superior.

Il radiatore Tubone è disponibile anche su misure differenti, da un minimo di 100 cm ad un massimo di 200 cm con un sovrapprezzo di **300•** da aggiungere alla misura standard superiore.  
Tubone is available in tailored dimensions starting from 100 cm to 200 cm. The price should be calculating adding **300•** to the higher price range referring to standard dimension.



B* cm	inches	A* cm	inches	l* cm	inches	art*	L*	BTU Δt 50°	watt Δt 50°	V*
<b>orizzontale / horizontal / horizontale / horizontal / horizontal</b>										
150.0	59.1	21.0	8.3	5.0	2.0	TN00SO15001B	7.0	1 242	364	
150.0	59.1	44.0	17.3	5.0	2.0	TN00SO15002B	14.0	2 485	728	
150.0	59.1	67.0	26.4	5.0	2.0	TN00SO15003B	21.0	3 727	1 092	
170.0	66.9	21.0	8.3	5.0	2.0	TN00SO17001B	7.9	1 407	412	
170.0	66.9	44.0	17.3	5.0	2.0	TN00SO17002B	15.9	2 815	825	
170.0	66.9	67.0	26.4	5.0	2.0	TN00SO17003B	23.8	4 222	1 237	
200.0	78.7	21.0	8.3	5.0	2.0	TN00SO20001B	9.3	1 657	485	
200.0	78.7	44.0	17.3	5.0	2.0	TN00SO20002B	18.7	3 313	971	
200.0	78.7	67.0	26.4	5.0	2.0	TN00SO20003B	28.0	4 970	1 456	
<b>orizzontale sovrapposto / horizontal overlapped / horizontale superposé / übereinander liegen / horizontal sobrepuesto</b>										
150.0	59.1	21.0	8.3	5.0	2.0	TN00DO15001B	14.0	1 854	543	
170.0	66.9	21.0	8.3	5.0	2.0	TN00DO17001B	15.9	2 101	615	
200.0	78.7	21.0	8.3	5.0	2.0	TN00DO20001B	18.7	2 473	724	
<b>orizzontale sovrapposto a pavimento / horizontal on the floor overlapped / horizontale superposé à plancher Auf den Boden übereinander liegen / horizontal sobrepuesto en el suelo</b>										
150.0	59.1	21.0	8.3	10.4	4.1	TN00PO15001B	14.0	1 854	543	AVC1021_/AVC1002_
170.0	66.9	21.0	8.3	10.4	4.1	TN00PO17001B	15.9	2 101	615	AVC1021_/AVC1002_
200.0	78.7	21.0	8.3	10.4	4.1	TN00PO20001B	18.7	2 473	724	AVC1021_/AVC1002_

A\* = altezza / height / hauteur / Höhe / alto B\* = larghezza / width / longueur / Breite / ancho art\* = articolo / model / modèle / Artikel / artículo P\* = pagina / page / page / Seite / página  
 l\* = interasse / pipe centres / distance entre depart et retour / Achsabstand / distancia entre las conexiones V\* = valvole / valves / valves / Ventile / valvulas  
 L\* = contenuto acqua / content / volume / Inhalt / volumen

<p>Kcal = Watt x 0.860 BTU = Watt x 3.413</p> <p>Watt Δt 60° = Watt Δt 50° x 1.251 Watt Δt 40° = Watt Δt 50° x 0.760 Watt Δt 30° = Watt Δt 50° x 0.534 Watt Δt 20° = Watt Δt 50° x 0.325</p> <p>p max = 6.5 bar</p>	<p>Colori/ colours / couleurs / Farbe / colores</p> <p>[ BIAN ] B standard T + 10% S + 20%</p> <p>[ RAL ] S + 20%</p> <p>RAL non inclusi in tabella special Ral colours couleurs Ral spéciales RAL Farbe nicht in der Tabelle inbegriffen colores RAL especiales</p>	<p>Valvole include Valves are included in the price Valves incluses dans le prix Ventile im Preis inbegriffen Valvulas incluidas en el precio</p> <p>P* 120</p>	<p>AVC0561_ AVC0562_</p>
---	--	---	------------------------------