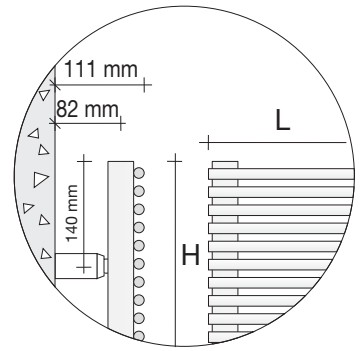


ORDER EXAMPLE

To correctly order this model follow the example specified below:

PRODUCT	BA14#120050 0B1 ST 9010
BA14#120050	Article code found in the prices table on the side
0B1	Connector code found in the table here below
ST	Standard Support code found in the table here below
9010	Colour code found in the TUBES COLOUR CHART
ACCESSORIES	
Z1TLNR#AN R12 9010	Valve and Lockshield - Copper angle 1/2" for copper pipes or multi-layer pipes - White RAL 9010
Z1RAC#R12CRO	12mm diam. copper pipe unions for Valve+Lockshield – chrome finish (2)

For other types of Valves see the table below or those on pages 217 - 218 - 219 - 220.



CONNECTORS

The towel warmers are supplied with "0B1" connectors.

If different connectors are required, strictly indicate this in the order. **IMPORTANT:** the connectors of towel warmers and radiators connected to the same system should all have the same configuration otherwise operating problems could occur.

Standard connectors

Will be supplied if not otherwise specified when placing the order

Rear connector

Supplied on request WITH an additional price charge of €

Custom-made connectors

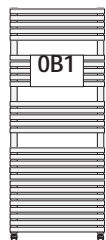
Supplied on request WITH an additional price charge of € (NOT available in chrome-plated version)

Connectors on request

Supplied on request WITHOUT an additional price charge

Custom-made connectors

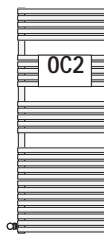
Supplied on request WITH an additional price charge of € (NOT available in chrome-plated version)



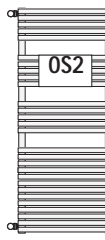
Inter-axis
l=L-3,4 cm



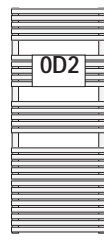
l=L-3,4 cm
rear connector for connection to **GVR**



Inter-axis
l=L+13,8 cm



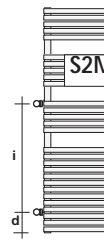
Inter-axis
l=H-5,8 cm



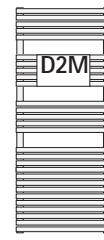
Inter-axis
l=H-5,8 cm



single pipe



Specify "i" and "d"
i min.=5 cm
d min.=2 cm



SUPPORTS

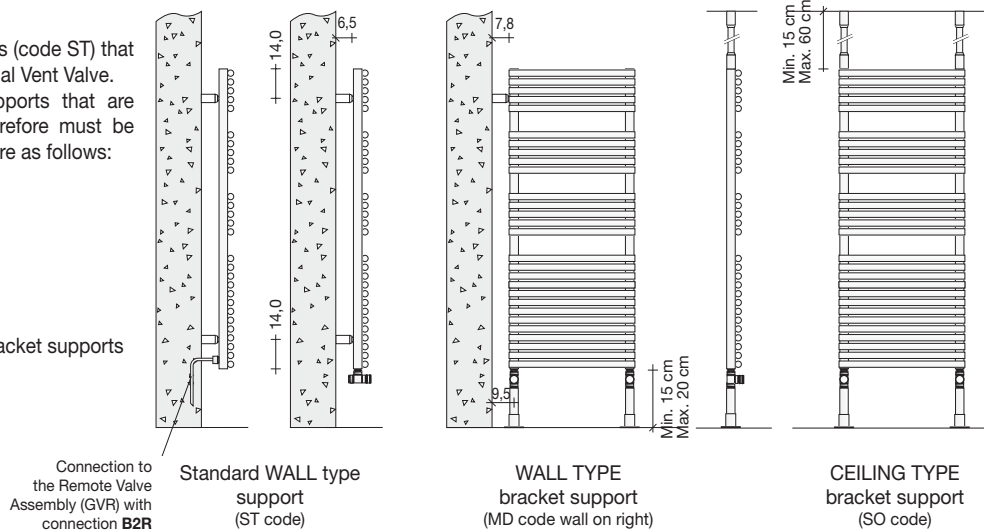
The towel warmers are supplied with standard supports (code ST) that include wall fixing shelves, pressure anchors and manual Vent Valve. On request they can be ordered with bracket supports that are permanently welded on the towel warmers and therefore must be specified when placing the order, their code and cost are as follows:

code MD	WALL TYPE bracket support on the Right	€
code MS	WALL TYPE bracket support on the Left	€
code SO	CEILING TYPE bracket support	€

LIMITS

WALL TYPE bracket support	Width max 60.0 cm
CEILING TYPE bracket support	Width max 80.0 cm

The Chrome plated version cannot be supplied with bracket supports



ADDITIONAL CHARGES FOR COLOURS AND FINISHES (see the official Tubes Colour Chart)

RAL colours not included in the colour chart + 30% more than Pure white price (cat. C0), for colours according to samples request feasibility and estimate.

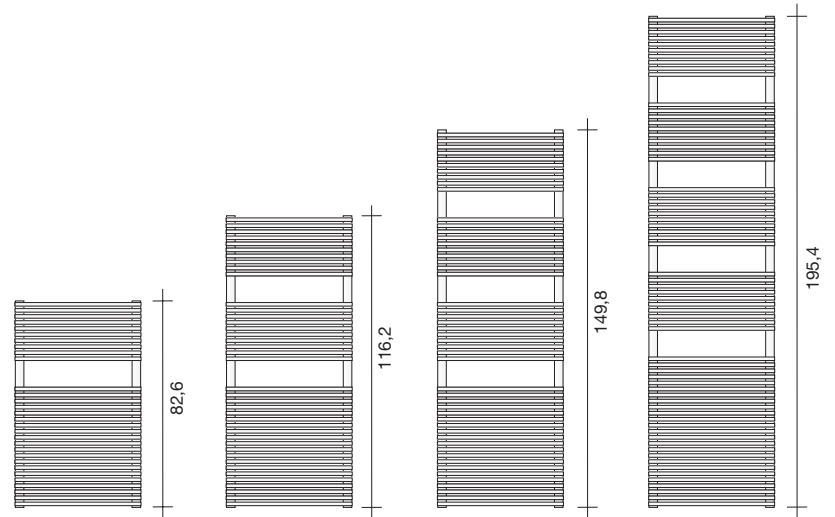
PLATED finishes: Nickel Satin finish same price as Glossy CHROME (cat. G1), 14kt GOLD finish (cat. G5)+50% and 24kt GOLD (cat. G6)+60% more than Chrome (Cat.G0).

Standard VALVES (for Valves and Lockshields, valves that can be fitted with thermostat, Thermostatic valves, or Single pipe, Twin pipe, Stainless steel and thermostatic heads see pages 217 - 218 - 219 - 220)

code	Description	Price	code	Description	Price
Z1TLNR#ANR129010	Valve and Lockshield - ValCOLOR Copper Angle 1/2" RAL 9010 Glossy Pure White	€	GVR#	Valve and Lockshield assembly for recessed remote connection, CHROME finish	€
Z1RAC#R12CRO	2 copper unions diam. 12 mm for ValCOLOR Chrome finish Valve+Lockshield	€	GVR#	Valve and Lockshield assembly for recessed remote connection, COLOUR finish	€
ZRCF#	Kit with pipe collars for towel warmers	€			

BATH 14

Price per radiator with White RAL 9010 finish and standard connectors - VAT and transport charges excluded



Code	H (cm)	L (cm)	Inter-axis (cm)	Water Content (l)	Coloured version		Chrome plated version		Chrome plated G0 * (€)	Category C0 RAL 9010 (€)	Category C1/C2 (€)	Category C3 (€)
					Watts ΔT 50°C	Watts ΔT 30°C	Watts ΔT 50°C	Watts ΔT 30°C				
BA14#080040	82,6	40,0	36,6	1,64	367	204	271	142				
BA14#080050		50,0	46,6	2,05	459	255	345	182				
BA14#080060		60,0	56,6	2,46	550	306	418	222				
BA14#080070		70,0	66,6	2,87	642	357	491	263				
BA14#080080		80,0	76,6	3,28	734	408	565	304				
BA14#080090		90,0	86,6	3,69	826	459						
BA14#080100		100,0	96,6	4,10	918	510						
BA14#120040	116,2	40,0	36,6	2,22	488	270	386	204				
BA14#120050		50,0	46,6	2,78	610	338	471	250				
BA14#120060		60,0	56,6	3,33	732	405	556	297				
BA14#120070		70,0	66,6	3,89	854	473	641	344				
BA14#120080		80,0	76,6	4,45	976	541	726	391				
BA14#120090		90,0	86,6	5,00	1098	608						
BA14#120100		100,0	96,6	5,56	1220	676						
BA14#150040	149,8	40,0	36,6	2,91	598	331	481	249				
BA14#150050		50,0	46,6	3,65	747	413	585	306				
BA14#150060		60,0	56,6	4,36	896	496	689	363				
BA14#150070		70,0	66,6	5,09	1046	579	793	421				
BA14#150080		80,0	76,6	5,82	1195	661	897	481				
BA14#150090		90,0	86,6	6,54	1344	743						
BA14#150100		100,0	96,6	7,27	1494	826						
BA14#190040	195,4	40,0	36,6	3,75	781	429	625	323				
BA14#190050		50,0	46,6	4,68	977	536	758	394				
BA14#190060		60,0	56,6	5,62	1172	643	891	465				
BA14#190070		70,0	66,6	6,55	1367	750	1024	536				
BA14#190080		80,0	76,6	7,49	1593	874	1157	608				
BA14#190090		90,0	86,6	8,43	1758	965						
BA14#190100		100,0	96,6	9,36	1926	1057						

In the CHROME (plated) version the code BA14 becomes BA14G
For correction factors different to ΔT 50°C see page 230

Towel warmers available in stock with OB1 connector and in White RAL 9010 colour or Chrome plated

* Additional charge for the new galvanic finishings Black Nickel and Tin Glossy +10% on the Chrome version. The same additional charge is valid for the valves too.

BATH 14 DOUBLE

Towel warmer composed of horizontal fusion welded elements in 14 mm diameter steel with 34 mm diam. manifolds



ORDER EXAMPLE

To correctly order this model follow the example specified below:

PRODUCT

BA14D#120050
OB1
ST
9010

BA14D#120050 OB1 ST 9010

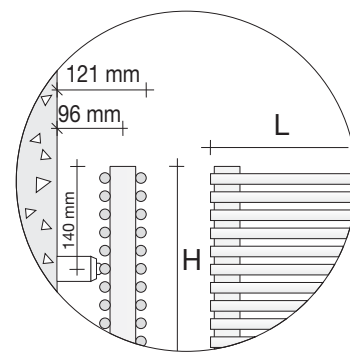
Article code found in the prices table on the side
Connector code found in the table here below
Standard Support code found in the table here below
Colour code found in the TUBES COLOUR CHART

ACCESSORIES

Z1TLNR#AN R12 9010
Z1RAC#R12CRO

Valve and Lockshield - Copper angle 1/2" for copper pipes or multi-layer pipes - White RAL 9010
12mm diam. copper pipe unions for Valve+Lockshield - chrome finish (2)

For other types of Valves see the table below or those on pages 217 - 218 - 219 - 220.



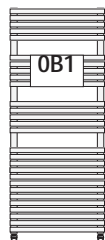
CONNECTORS

The towel warmers are supplied with "OB1" connectors.

If different connectors are required, strictly indicate this in the order. **IMPORTANT:** the connectors of towel warmers and radiators connected to the same system should all have the same configuration otherwise operating problems could occur.

Standard connectors

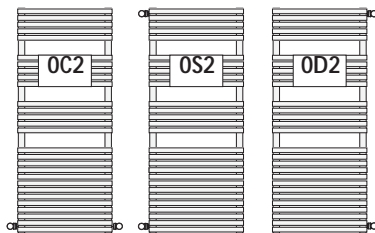
Will be supplied if not otherwise specified when placing the order



Inter-axis
l=L-3,4 cm

Custom-made connectors

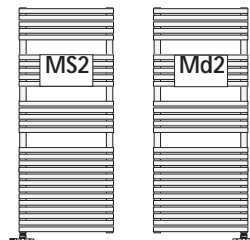
Supplied on request WITH an additional price charge of € (NOT available in chrome-plated version)



Inter-axis l=L+13,8 cm
Inter-axis l=H-5,8 cm
Inter-axis l=H-5,8 cm

Connectors on request

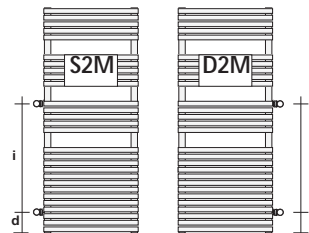
Supplied on request WITHOUT an additional price charge



single pipe

Custom-made connectors

Supplied on request WITH an additional price charge of € (NOT available in chrome-plated version)



Specify "i" and "d"
i min.=5 cm
d min.=2 cm

SUPPORTS

The towel warmers are supplied with standard supports (code ST) that include wall fixing shelves, pressure anchors and manual Vent Valve.

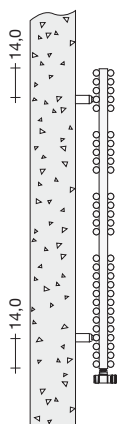
On request they can be ordered with bracket supports that are permanently welded on the towel warmers and therefore must be specified when placing the order, their code and cost are as follows:

- code MD WALL TYPE bracket support on the Right €
- code MS WALL TYPE bracket support on the Left €
- code SO CEILING TYPE bracket support €

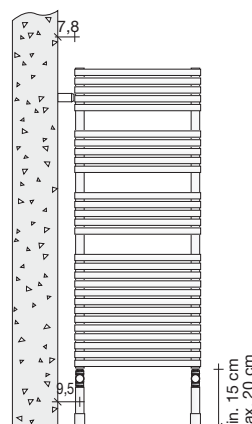
LIMITS

- WALL TYPE bracket support Width max 40.0 cm
- CEILING TYPE bracket support Width max 60.0 cm

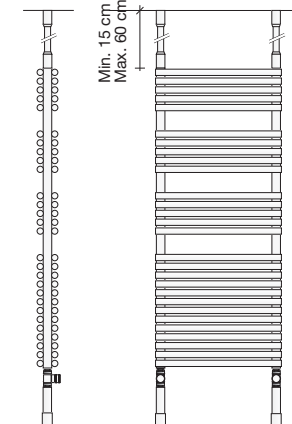
The Chrome plated version cannot be supplied with bracket supports



Standard WALL type support (ST code)



WALL TYPE bracket support (MD code wall on right) (MS code wall on left)



CEILING TYPE bracket support (SO code)

ADDITIONAL CHARGES FOR COLOURS AND FINISHES (see the official Tubes Colour Chart)

RAL colours not included in the colour chart + 30% more than Pure white price (cat. C0), for colours according to samples request feasibility and estimate.

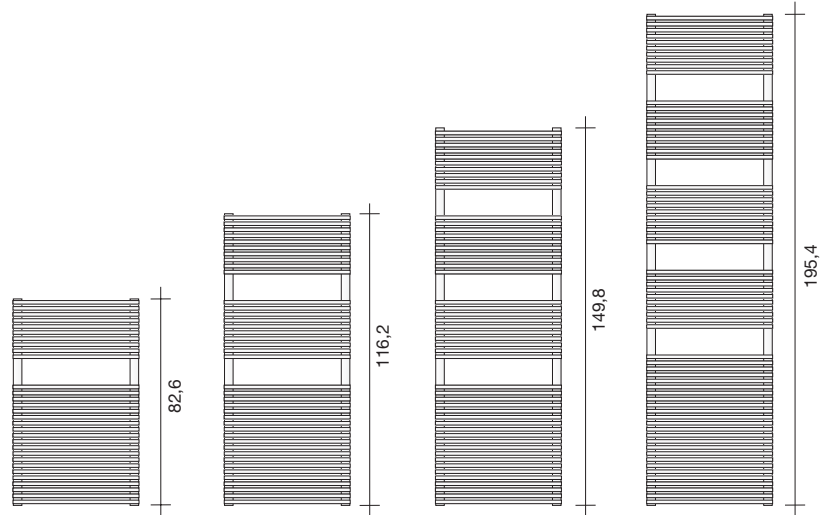
PLATED finishes: NOT available

Standard VALVES (for Valves and Lockshields, valves that can be fitted with thermostat, Thermostatic valves, or Single pipe, Twin pipe, Stainless steel and thermostatic heads see pages 217 - 218 - 219 - 220)

	code	Description	Price
	Z1TLNR#ANR129010	Valve and Lockshield - ValCOLOR Copper Angle 1/2" RAL 9010 Glossy Pure White	€
	Z1RAC#R12CRO	2 copper unions diam. 12 mm for ValCOLOR Chrome finish Valve+Lockshield	€
	ZRCF#	Kit with pipe collars for towel warmers	€

BATH 14 DOUBLE

Price per radiator with White RAL 9010 finish and standard connectors - VAT and transport charges excluded



Code	H (cm)	L (cm)	Inter-axis (cm)	Water Content (l)	Coloured version		Category C0 RAL 9010 (€)	Category C1/C2 (€)	Category C3 (€)
					Watts ΔT 50°C	Watts ΔT 30°C			
BA14D#080040	82,6	40,0	36,6	4,77	650	339			
BA14D#080050		50,0	46,6	5,34	813	424			
BA14D#080060		60,0	56,6	5,91	975	508			
BA14D#080070		70,0	66,6	6,71	1138	593			
BA14D#080080		80,0	76,6	7,05	1301	678			
BA14D#080090		90,0	86,6	7,71	1462	762			
BA14D#080100		100,0	96,6	8,19	1625	847			
BA14D#120040	116,2	40,0	36,6	6,55	832	433			
BA14D#120050		50,0	46,6	7,31	1040	542			
BA14D#120060		60,0	56,6	8,07	1249	651			
BA14D#120070		70,0	66,6	9,03	1457	759			
BA14D#120080		80,0	76,6	9,59	1665	867			
BA14D#120090		90,0	86,6	10,55	1873	976			
BA14D#120100		100,0	96,6	11,11	2081	1084			
BA14D#150040	149,8	40,0	36,6	8,32	995	518			
BA14D#150050		50,0	46,6	9,27	1244	648			
BA14D#150060		60,0	56,6	10,22	1493	778			
BA14D#150070		70,0	66,6	11,17	1741	907			
BA14D#150080		80,0	76,6	12,12	1990	1037			
BA14D#150090		90,0	86,6	13,07	2239	1167			
BA14D#150100		100,0	96,6	14,02	2488	1296			
BA14D#190040	195,4	40,0	36,6	10,84	1249	651			
BA14D#190050		50,0	46,6	12,07	1561	813			
BA14D#190060		60,0	56,6	13,31	1874	976			
BA14D#190070		70,0	66,6	14,54	2186	1139			
BA14D#190080		80,0	76,6	15,77	2498	1301			
BA14D#190090		90,0	86,6	17,01	2810	1464			
BA14D#190100		100,0	96,6	18,24	3123	1627			

For correction factors different to ΔT 50°C see page 230

BATH 14 i5

Towel warmer composed of horizontal fusion welded elements in 14 mm diameter steel with 34 mm diam. manifolds



ORDER EXAMPLE

To correctly order this model follow the example specified below:

PRODUCT

BA14 i5#120050
0i5
ST
9010

BA14i5#120050 0i5 ST 9010

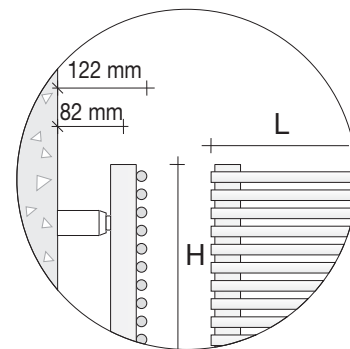
Article code found in the prices table here below
Connection code for 5 cm interaxis
Standard Support code found in the table here below
Colour code found in the TUBES COLOUR CHART

ACCESSORIES

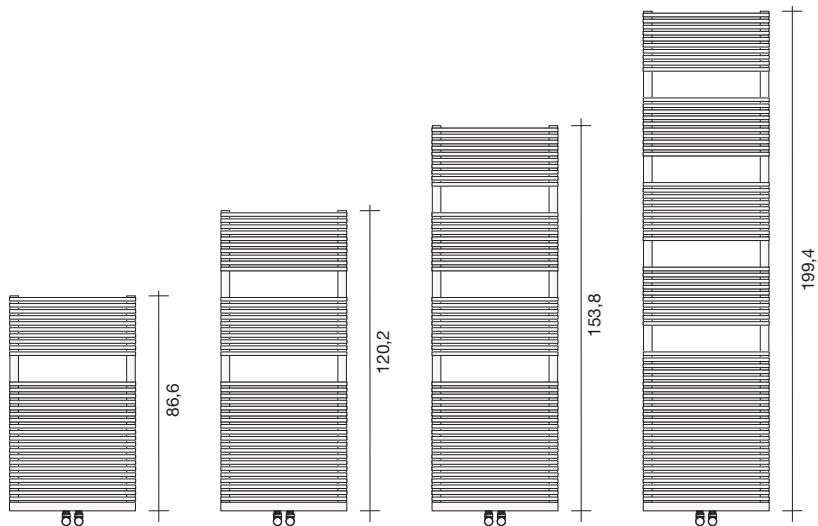
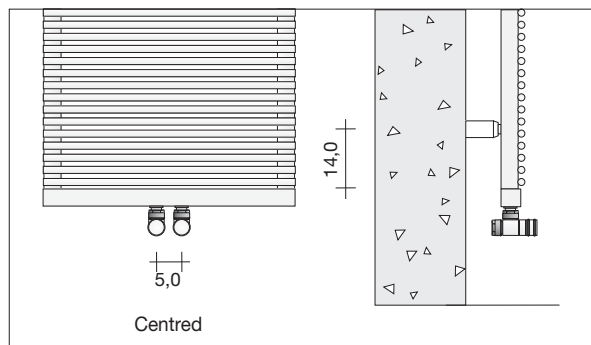
Z1TLNR#AN R12 9010
Z1RAC#R12CRO

Valve and Lockshield - Copper angle 1/2" for copper pipes or multi-layer pipes - White RAL 9010
12mm diam. copper pipe unions for Valve+Lockshield - chrome finish (2)

For other types of Valves see the table below or those on pages 217 - 218 - 219 - 220.



Technical diagram for BA14 i5 connection



Code	H (cm)	L (cm)	Inter-axis (cm)	Water Content (l)	Coloured version		Chrome plated version		Chrome plated G0 * (€)	Category C0 RAL 9010 (€)	Category C1/C2 (€)	Category C3 (€)
					Watts ΔT 50°C	Watts ΔT 30°C	Watts ΔT 50°C	Watts ΔT 30°C				
BA14i5#080040	86,6	40,0	5	1,64	367	204	271	142				
BA14i5#080050		50,0	5	2,05	459	255	345	182				
BA14i5#080060		60,0	5	2,46	550	306	418	222				
BA14i5#120040	120,2	40,0	5	2,22	488	270	386	204				
BA14i5#120050		50,0	5	2,78	610	338	471	250				
BA14i5#120060		60,0	5	3,33	732	405	556	297				
BA14i5#150040	153,8	40,0	5	2,91	598	331	481	249				
BA14i5#150050		50,0	5	3,65	747	413	585	306				
BA14i5#150060		60,0	5	4,36	896	496	689	363				
BA14i5#190040	199,4	40,0	5	3,75	781	429	625	323				
BA14i5#190050		50,0	5	4,68	977	536	758	394				
BA14i5#190060		60,0	5	5,62	1172	643	891	465				

For correction factors different to ΔT 50°C see page 230

* Additional charge for the new galvanic finishings Black Nichel and Tin Glossy +10% on the Chrome version. The same additional charge is valid for the valves too.

ADDITIONAL CHARGES FOR COLOURS AND FINISHES (see the official Tubes Colour Chart)

RAL colours not included in the colour chart + 30% more than Pure white price (cat. C0), for colours according to samples request feasibility and estimate.

PLATED finishes: Nickel Satin finish same price as Glossy CHROME (cat. G1), 14kt GOLD finish (cat. G5)+50% and 24kt GOLD (cat. G6)+60% more than Chrome (Cat.G0).

Standard VALVES (for Valves and Lockshields, valves that can be fitted with thermostat, Thermostatic valves, or Single pipe, Twin pipe, Stainless steel and thermostatic heads see pages 217 - 218 - 219 - 220)

code	Description	Price	code	Description	Price 9010	Price Cromo
Z1TLNR#ANR129010	Valve and Lockshield - ValCOLOR Copper Angle 1/2" RAL 9010 Glossy Pure White	€	Z1TL5NR#ANR12SX...	Valves with 5 cm interaxis 5 cm - Left	€	€
Z1RAC#R12CRO	2 copper unions diam. 12 mm for ValCOLOR Chrome finish Valve+Lockshield	€	Z1TL5NR#ANR12DX...	Valves with 5 cm interaxis 5 cm - Right	€	€
ZRCF#	Kit with pipe collars for towel warmers	€				

BATH 14 i5 DOUBLE

Towel warmer composed of horizontal fusion welded elements in 14 mm diameter steel with 34 mm diam. manifolds

HW

ORDER EXAMPLE

To correctly order this model follow the example specified below:

PRODUCT

BA14D i5#120050
0i5
ST
9010

BA14Di5#120050 0i5 ST 9010

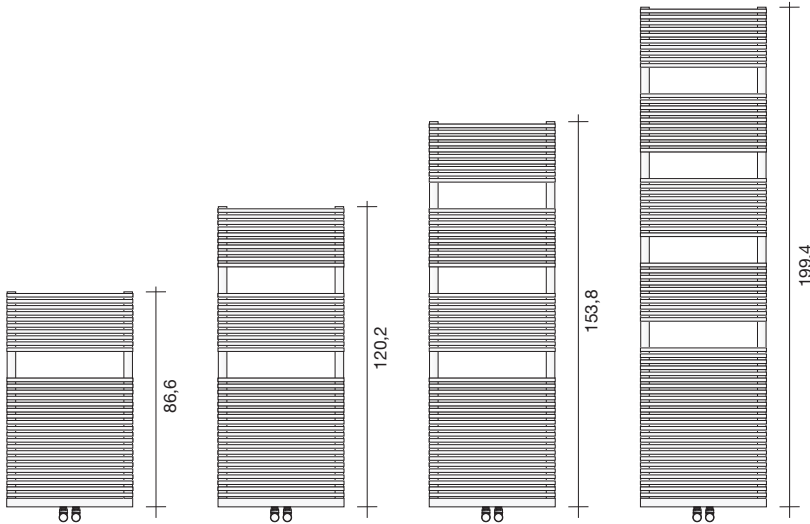
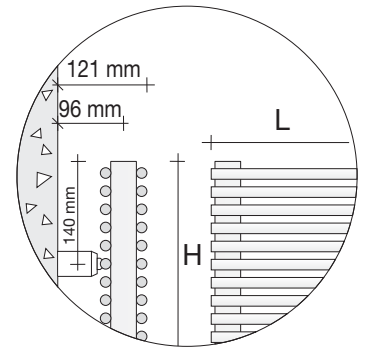
Article code found in the prices table here below
 Connection code for 5 cm interaxis
 Standard Support code found in the table here below
 Colour code found in the TUBES COLOUR CHART

ACCESSORIES

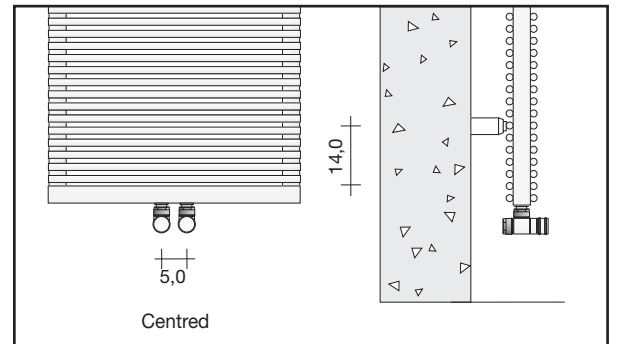
Z1TLNR#AN R12 9010
Z1RAC#R12CRO

Valve and Lockshield - Copper angle 1/2" for copper pipes or multi-layer pipes - White RAL 9010
 12mm diam. copper pipe unions for Valve+Lockshield – chrome finish (2)

For other types of Valves see the table below or those on pages 217 - 218 - 219 - 220.



Technical diagram for BA14D i5 connection



Code	H (cm)	L (cm)	Inter-axis (cm)	Water Content (l)	Coloured version		Category C0 RAL 9010 (€)	Category C1/C2 (€)	Category C3 (€)
					Watts ΔT 50°C	Watts ΔT 30°C			
BA14Di5#080040	86,6	40,0	5	4,77	650	339			
BA14Di5#080050		50,0	5	5,34	813	424			
BA14Di5#080060		60,0	5	5,91	975	508			
BA14Di5#120040	120,2	40,0	5	6,55	832	433			
BA14Di5#120050		50,0	5	7,31	1040	542			
BA14Di5#120060		60,0	5	8,07	1249	651			
BA14Di5#150040	153,8	40,0	5	8,32	995	518			
BA14Di5#150050		50,0	5	9,27	1244	648			
BA14Di5#150060		60,0	5	10,22	1493	778			
BA14Di5#190040	199,4	40,0	5	10,84	1249	651			
BA14Di5#190050		50,0	5	12,07	1561	813			
BA14Di5#190060		60,0	5	13,31	1874	976			




For correction factors different to ΔT 50°C see page 230

ADDITIONAL CHARGES FOR COLOURS AND FINISHES (see the official Tubes Colour Chart)

RAL colours not included in the colour chart + 30% more than Pure white price (cat. C0), for colours according to samples request feasibility and estimate.

PLATED finishes: See model BATH 25 G Chrome-plated at page 210

Standard VALVES (for Valves and Lockshields, valves that can be fitted with thermostat, Thermostatic valves, or Single pipe, Twin pipe, Stainless steel and thermostatic heads see pages 217 - 218 - 219 - 220)

	code	Description	Price
	Z1TLNR#ANR129010	Valve and Lockshield - ValCOLOR Copper Angle 1/2" RAL 9010 Glossy Pure White	€
	Z1RAC#R12CRO	2 copper unions diam. 12 mm for ValCOLOR Chrome finish Valve+Lockshield	€
	ZRCF#	Kit with pipe collars for towel warmers	€

BATH 14 Electric and Mixed

Towel warmer composed of horizontal fusion welded elements in 14 mm diameter steel with 34 mm diam. manifolds



ORDER EXAMPLE

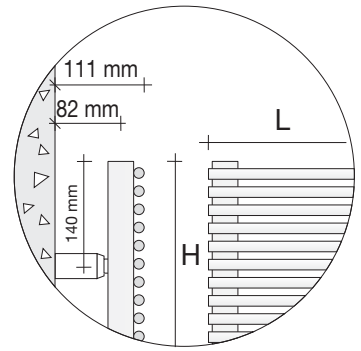
To correctly order this model follow the example specified below:

PRODUCT **BA14E#080050 A2 ST 9010**
 BA14E#080050 Article code found in the prices table on the side
 A2 (KA2 x mixed) Resistor code found in the table on the side
 ST Standard Support code, only one support code available for Electric and Mixed version
 9010 Colour code found in the TUBES COLOUR CHART

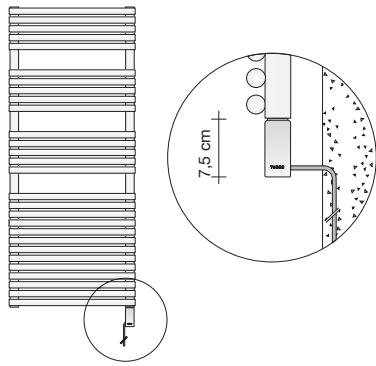
ACCESSORIES ELECTRIC/MIXED version (only for standard STD resistors)
 ZRF004 Kit with wireless room thermostat
 Or ZRF005 Portable, programmable digital wireless chronothermostat kit

ACCESSORIES for MIXED version
 Z1TLNR#AN R12 9010 Valve and Lockshield - Copper angle 1/2" for copper pipes or multi-layer pipes - White RAL 9010
 Z1RAC#R12CRO 12mm diam. copper pipe unions for Valve+Lockshield – chrome finish (2)

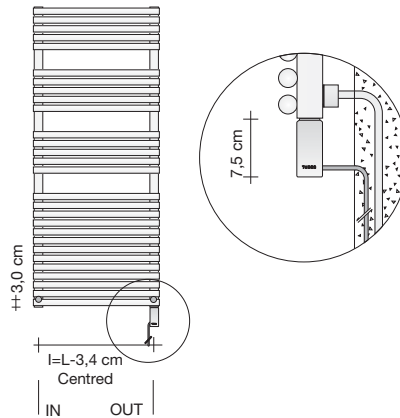
For other types of Valves see the table below or those on pages 217 - 218 - 219 - 220.



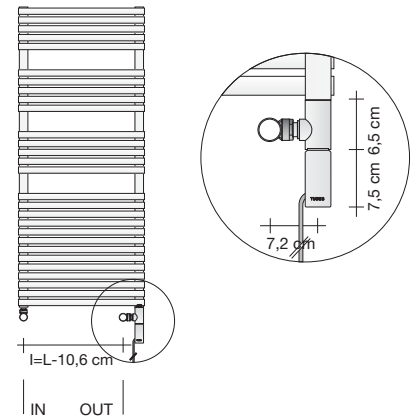
Electric Standard



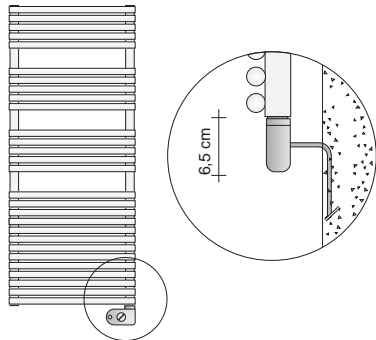
Mixed Standard with Rear Connectors



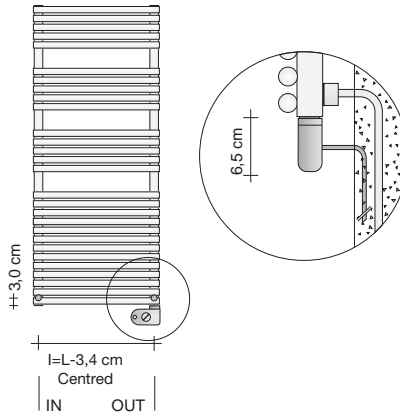
Mixed with Kit and external Connectors



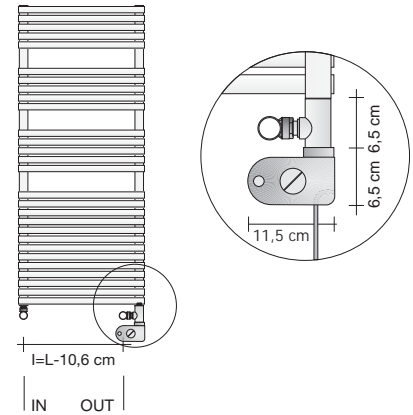
Electric with Room Thermostat



Mixed with Room thermostat and Rear Connectors



Mixed with Kit, Room thermostat and External Connectors



ADDITIONAL CHARGES FOR COLOURS AND FINISHES (see the official Tubes Colour Chart)

For RAL colours not included in the colour chart and according to samples request feasibility and estimate.

PLATED finishes: Nickel Satin finish same price as Glossy CHROME (cat. G1), 14kt GOLD finish (cat. G5) and 24kt gold (cat. G6), request a cost estimate

Standard VALVES (for Valves and Lockshields, valves that can be fitted with thermostat, Thermostatic valves, or Single pipe, Twin pipe, Stainless steel and thermostatic heads see pages 217 - 218 - 219 - 220)

	code	Description	Price
	Z1TLNR#ANR129010	Valve and Lockshield - ValCOLOR Copper Angle 1/2" RAL 9010 Glossy Pure White	€
	Z1RAC#R12CRO	2 copper unions diam. 12 mm for ValCOLOR Chrome finish Valve+Lockshield	€
	ZRCF#	Kit with pipe collars for towel warmers	€

	code	Description	Price
	GVR#	Valve and Lockshield assembly for recessed remote connection, CHROME finish	€
	GVRC#	Valve and Lockshield assembly for recessed remote connection, COLOUR finish	€

BATH 14 Electric and Mixed

Price per radiator with White RAL 9010 finish and standard connectors - VAT and transport charges excluded



The electric version is made with a standard type resistor, the version with the new terminal will be available as of June 2014 with an additional price.

ELECTRIC VERSION

Code	H (cm)	L (cm)	Electric resistor Watts	Chrome plated G0 * (€)	Category C0 RAL 9010 (€)	Category C1/C2 (€)	Category C3 (€)
BA14E#080040	82,6	40,0	300 W				
BA14E#080050		50,0	300 W				
BA14E#080060		60,0	600 W				
BA14E#120040	116,2	40,0	600 W				
BA14E#120050		50,0	600 W				
BA14E#120060		60,0	900 W				
BA14E#150040	149,8	40,0	600 W				
BA14E#150050		50,0	900 W				
BA14E#150060		60,0	900 W				
BA14E#190040	195,4	40,0	900 W				
BA14E#190050		50,0	900 W				
BA14E#190060		60,0	1200 W				

* Additional charge for the new galvanic finishings Black Nichel and Tin Glossy +10% on the Chrome version. The same additional charge is valid for the valves too.

MIXED VERSION

Code	H (cm)	L (cm)	Inter-axis (cm)	Electric resistor Watts	Coloured version Watts ΔT 50°C	Chrome plated version Watts ΔT 50°C	Chrome plated G0 * (€)	Category C0 RAL 9010 (€)	Category C1/C2 (€)	Category C3 (€)
BA14M#080040	82,6	40,0	29,4	300 W	367	271				
BA14M#080050		50,0	39,4	300 W	459	345				
BA14M#080060		60,0	49,4	600 W	550	418				
BA14M#120040	116,2	40,0	29,4	600 W	488	386				
BA14M#120050		50,0	39,4	600 W	610	471				
BA14M#120060		60,0	49,4	900 W	732	556				
BA14M#150040	149,8	40,0	29,4	600 W	598	481				
BA14M#150050		50,0	39,4	900 W	747	585				
BA14M#150060		60,0	49,4	900 W	896	689				
BA14M#190040	195,4	40,0	29,4	900 W	781	625				
BA14M#190050		50,0	39,4	900 W	977	758				
BA14M#190060		60,0	49,4	1200 W	1172	891				

* Additional charge for the new galvanic finishings Black Nichel and Tin Glossy +10% on the Chrome version. The same additional charge is valid for the valves too.

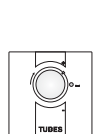
WIRELESS THERMOSTATS

Code	Description	Price (€)
ZRF004	Kit with wall type room thermostat (Wireless) + Receiver	
ZRF005	Portable, digital wireless chronothermostat kit with weekly programming + Receiver	

CODES/ PRICES TABLE FOR ELECTRIC AND MIXED VERSION RESISTORS

Model	300 W			600 W			900 W			1200 W		
	Resistor code For Electric	Resistor code For Mixed	Price (€)	Resistor code For Electric	Resistor code For Mixed	Price (€)	Resistor code For Electric	Resistor code For Mixed	Price (€)	Resistor code For Electric	Resistor code For Mixed	Price (€)
Standard (STD) White cord	A2	KA2		B2	KB2		C2	KC2		D2	KD2	
Standard (STD) Grey cord	G2	KG2		H2	KH2		I2	KI2		L2	KL2	
Room thermostat - White	A5	KA5		B5	KB5		C5	KC5		D5	KD5	
Room thermostat - Grey	A7	KA7		B7	KB7		C7	KC7		D7	KD7	
Radiator Thermostat - White	N1	N.D.		N2	N.D.		N3	N.D.		N4	N.D.	
Radiator Thermostat - Chrome	N5	N.D.		N6	N.D.		N7	N.D.		N8	N.D.	
White edge cap	U1	KU1		U2	KU2		U3	KU3		U4	KU4	
Grey edge cap	V1	KV1		V2	KV2		V3	KV3		V4	KV4	
Chrome edge cap	Z1	KZ1		Z2	KZ2		Z3	KZ3		Z4	KZ4	

Wireless connections

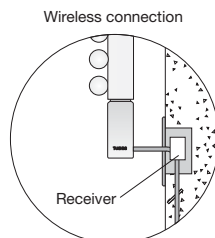


Wireless room thermostat
ZRF004

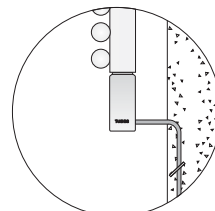


Portable, digital wireless chronothermostat
ZRF005

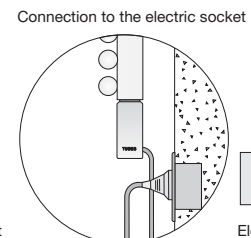
How to carry out connection to the Electric supply with the new terminal



Wireless connection



Standard electric connection



Connection to the electric socket

Remote switch (not supplied)

Electric plug not supplied