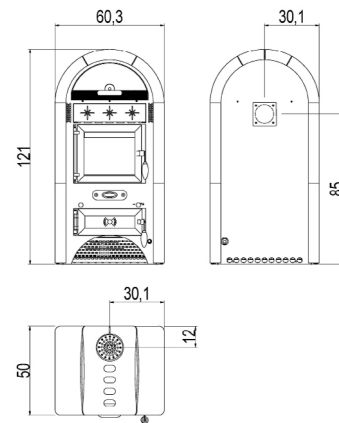


STOVE STRUCTURE CODE 7013025
EAN 8033123611930

MAJOLICA

	WHITE 6913056 EAN 8033123613125
	RED 6913055 EAN 8033123613132



EXTRA



Ventilation



Cast iron inner with 2nd combustion air



Handgrip against burn

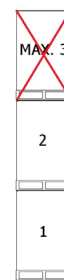
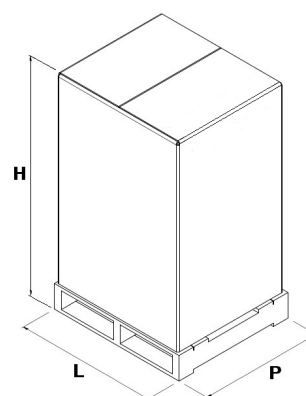


Upper and back exhaust

TECHNICAL DATAS

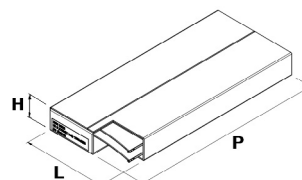
Nominal power	kW	10,7
Reduced power	kW	-
Nominal water useful power	kW	-
Reduced water useful power	kW	-
Nominal efficiency	%	77,2
Reduced efficiency	%	-
Heating volume (max)	m ³	257
Nominal CO at 13% O ₂	%	0,61
Reduced CO at 13% O ₂	%	-
Nominal dust content at 13% O ₂	mg/Nm ³	-
Boiler capacity (H ₂ O)	l	-
Hopper capacity	kg	-
Combustible		Wood
Hourly consumption (max)	kg/h	3,00
Autonomy (min-max)	h	-
Ignition electrical absorption (max)	W	-
Operating electrical absorption (max)	W	170
Supply and frequency	V - Hz	230 - 50
Chimney flue depression	Pa	11,3
Exhaust diameter	mm	120
Combustion air inlet diameter	mm	-
Mass of smoke (max)	g/sec	6,4
Exhaust fumes temperature (max)	°C	332
Net weight	kg	214
Gross weight	kg	224

PACKAGING AND STOCKING



L (cm)	74
H (cm)	132
P (cm)	56

LINING PACKING



LINING	L (cm)	H (cm)	P (cm)
Majolica	80	55	58



EN 13240:2001/A2:2004/AC:2007