

# Sfera<sup>3</sup> PLUS



STOVE STRUCTURE CODE 7014016  
EAN 8033123614719



## STEEL

**ANTHRACITE**  
6914032  
EAN 8033123615181

**WHITE**  
6914030  
EAN 8033123615167

**CHROME**  
6914033  
EAN 8033123615198

**RED**  
6914029  
EAN 8033123615150

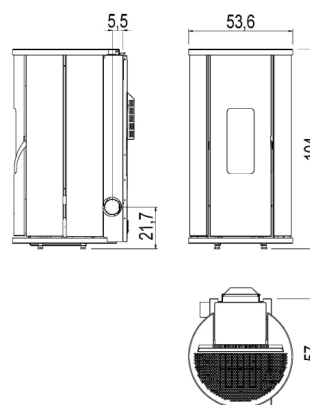
**SILVER**  
6914031  
EAN 8033123615174

## GLASS

**WHITE**  
6914013  
EAN 8033123614870

**RED**  
6914014  
EAN 8033123614887

**MIRROR**  
6914015  
EAN 8033123614894



## EXTRA



Ductible with 1 independent motor



Overheating protection



Cast iron burning pot



Daily weekly programming



Lateral exhaust



Sealed chamber



Handgrip against burn



Remote control

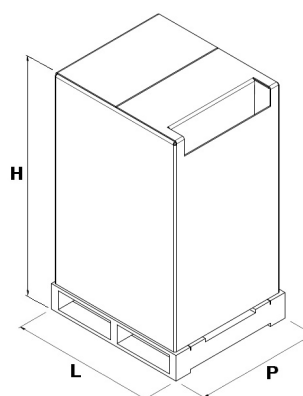


Connection to the external thermostat

## TECHNICAL DATAS

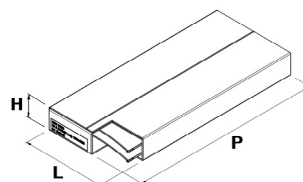
Nominal power	kW	10,5
Reduced power	kW	2,8
Nominal water useful power	kW	-
Reduced water useful power	kW	-
Nominal efficiency	%	87
Reduced efficiency	%	93
Heating volume (min-max)	m <sup>3</sup>	67 - 252
Nominal CO at 13% O <sub>2</sub>	%	0,007
Reduced CO at 13% O <sub>2</sub>	%	0,03
Nominal dust content at 13% O <sub>2</sub>	mg/Nm <sup>3</sup>	12
Boiler capacity (H <sub>2</sub> O)	l	-
Hopper capacity	kg	22
Combustible		<b>Pellet ø6</b>
Hourly consumption (min-max)	kg/h	0,60 - 2,40
Autonomy (min-max)	h	36,7 - 9,2
Ignition electrical absorption (max)	W	360
Operating electrical absorption (max)	W	60
Supply and frequency	V - Hz	230 - 50
Chimney flue depression	Pa	11
Exhaust diameter	mm	80
Combustion air inlet diameter	mm	60
Mass of smoke (min-max)	g/sec	3,1 - 6,5
Exhaust fumes temperature (max)	°C	228
Net weight	kg	98-108
Gross weight	kg	108-118

## PACKAGING AND STOCKING



L (cm)	78
H (cm)	125
P (cm)	68

## LINING PACKING



LINING	L (cm)	H (cm)	P (cm)
Steel	96	8	46



Art. 15A B-VG 2015

BImSchV 2015

Regensburg

München

Stuttgart

Aachen