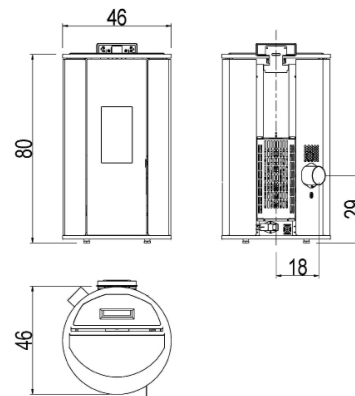


STOVE STRUCTURE CODE 7014021
EAN 8033123614993



STEEL

- ANTHRACITE
6913085
EAN 8033123614443
- WHITE
6913083
EAN 8033123614450
- CHROME
6914024
EAN 8033123614986
- RED
6913082
EAN 8033123614528
- SILVER
6913084
EAN 8033123614436
- LIGHT BRONZE
6915016
EAN 8033123616362



EXTRA



Overheating protection



Cast iron burning pot



Daily weekly programming



Back exhaust



Handgrip against burn



Remote control

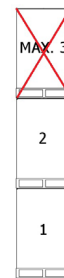
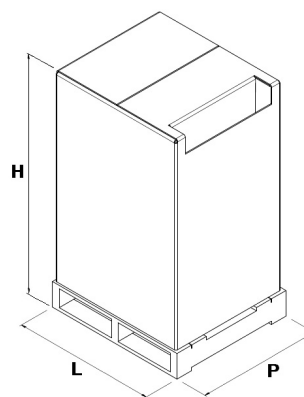


Connection to the external thermostat

TECHNICAL DATAS

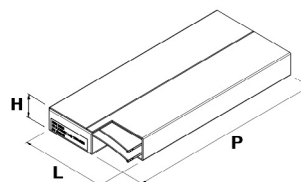
Nominal power	kW	5,5
Reduced power	kW	2,1
Nominal water useful power	kW	-
Reduced water useful power	kW	-
Nominal efficiency	%	91,1
Reduced efficiency	%	92,7
Heating volume (min-max)	m ³	50 - 132
Nominal CO at 13% O ₂	%	0,006
Reduced CO at 13% O ₂	%	0,049
Nominal dust content at 13% O ₂	mg/Nm ³	27,5
Boiler capacity (H ₂ O)	l	-
Hopper capacity	kg	9
Combustible		Pellet ø6
Hourly consumption (min-max)	kg/h	0,46 - 1,24
Autonomy (min-max)	h	19,6 - 7,3
Ignition electrical absorption (max)	W	360
Operating electrical absorption (max)	W	60
Supply and frequency	V - Hz	230 - 50
Chimney flue depression	Pa	10,4
Exhaust diameter	mm	80
Combustion air inlet diameter	mm	40
Mass of smoke (min-max)	g/sec	2,4 - 3,8
Exhaust fumes temperature (max)	°C	146,6
Net weight	kg	70
Gross weight	kg	80

PACKAGING AND STOCKING



L (cm)	60
H (cm)	100
P (cm)	57

LINING PACKING



LINING	L (cm)	H (cm)	P (cm)
Steel	48,5	6	85



EN 14785:2006



Art. 15A B-VG 2015

BImSchV 2015

Regensburg

München

Stuttgart

Aachen