



DANIEL

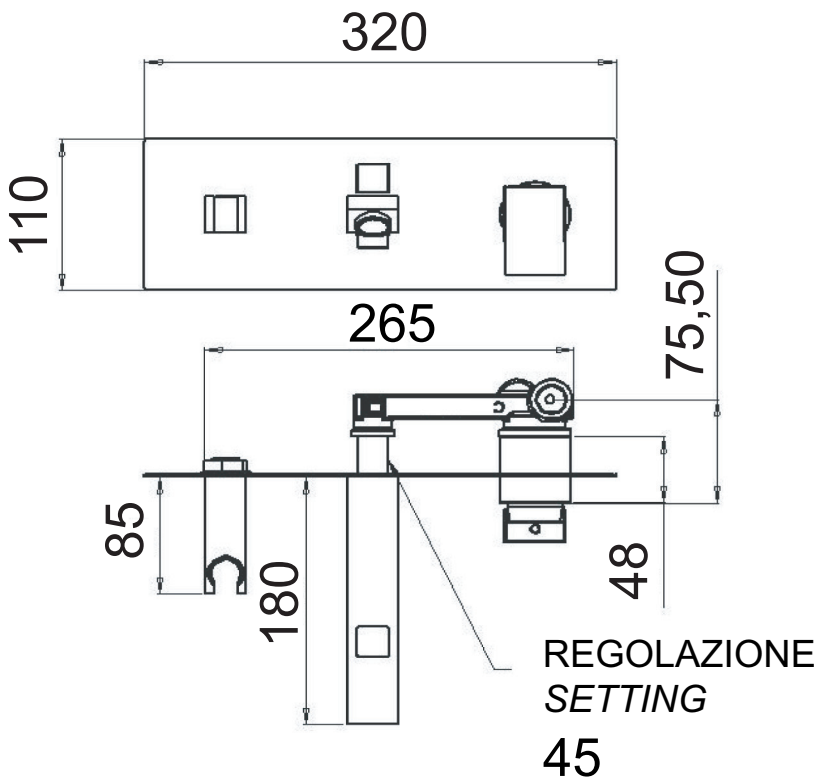
SCHEDA TECNICA TECHNICAL FEATURES

ART. COD.

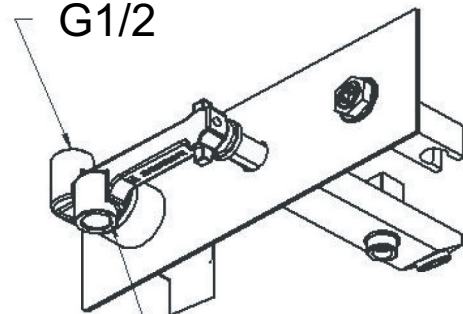
SK652



150 cm →



ENTRATA ACQUA FREDDA
COLD WATER INLET
G1/2



ENTRATA
ACQUA CALDA
HOT WATER INLET
G1/2

MATERIALI / MATERIALS

OTTONE CROMATO / CHROME PLATED BRASS

CROMATURA / CHROME PLATING

UNI EN 248

Via Leonardo da Vinci 53 20062 Cassano d'Adda (MI) Italy Tel. +39-0363 62651
info@daniel.it www.daniel.it