

KUBIK KV 15 VERTICAL SINGLE

Radiator composed of 15x15 mm square section vertical steel elements fusion welded with 28 mm diameter manifolds

HW

ORDER EXAMPLE

To correctly order this model follow the example specified below:

PRODUCT

KV15#200 018
0C1
ST
9010

KV15#200 018 0C1 ST 9010

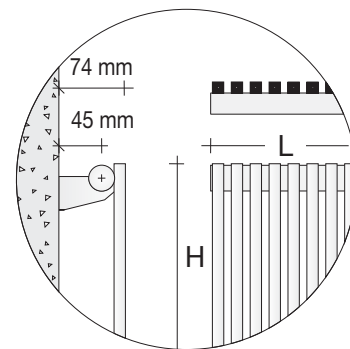
Article code composed of Model, Height (200) and Number of elements (018)
Connector code found in the table here below
Standard Support code found in the table here below
Colour code found in the TUBES COLOUR CHART

ACCESSORIES

Z1TLNR#AN R12 9010
Z1RAC#R12CRO

Valve and Lockshield - Copper angle 1/2" for copper pipes or multi-layer pipes - White RAL 9010
12mm diam. copper pipe unions for Valve+Lockshield - chrome finish (2)

For other types of Valves see the table below or those on pages 217 - 218 - 219 - 220.



CONNECTORS

The radiators are supplied with "0C1" connectors as shown in the table here below.

If different connectors are required, strictly indicate this in the order. **IMPORTANT:** the connectors of the radiators ordered and the radiators connected to the same system should all have the same configuration otherwise operating problems could occur. The OB2 configuration should have two 1/8" diameter chrome-plated plugs on the head of the manifolds.

Standard connectors

Will be supplied if not otherwise specified when placing the order

Custom-made connectors

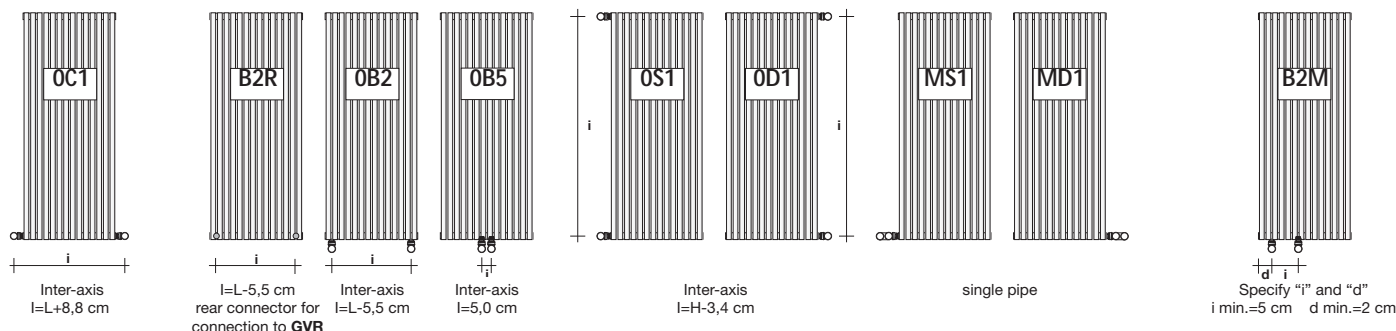
Supplied on request WITH an additional price charge of €

Connectors on request

Supplied on request WITHOUT an additional price charge

Custom-made connectors

Supplied on request WITH an additional price charge of € (NOT available in chrome-plated version)



SUPPORTS

The radiators are supplied with standard supports (code ST) that include the wall fixing shelves and the manual vent Valve.

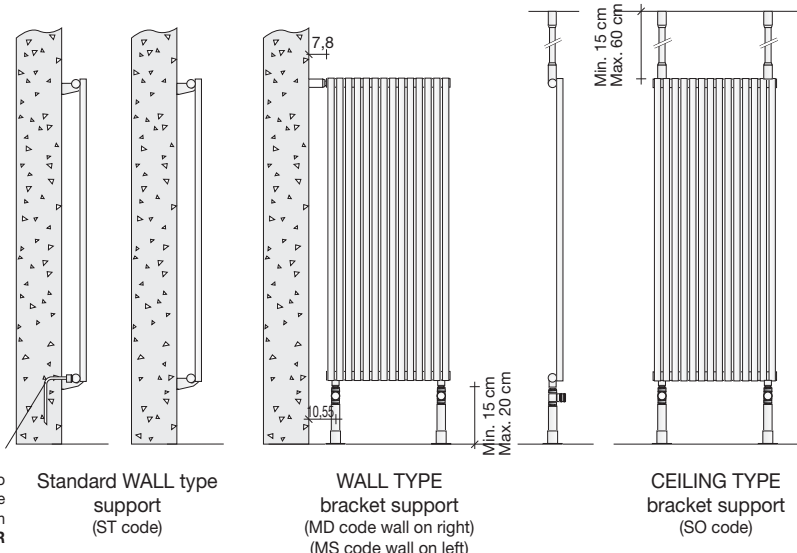
On request they can be ordered with bracket supports that are permanently welded on the towel warmers and therefore must be specified when placing the order, their code and cost are as follows:

- code MD WALL TYPE bracket support on the Right €
- code MS WALL TYPE bracket support on the Left €
- code SO CEILING TYPE bracket support €

LIMITS

- WALL TYPE bracket support Width max 60.4 cm
- CEILING TYPE bracket support Width max 80.4 cm

The Chrome plated version cannot be supplied with bracket supports



ADDITIONAL COLOUR CHARGE (see the official Tubes Colour Chart)

Additional colour charges are calculated over the Pure white price (Cat. C0), for the other categories the additional charges herein below are applicable:

Category C1 and C2 +10%

C3 Category +20%

RAL not included in the colour chart +30%

According to samples Request feasibility and cost estimate

Standard VALVES (for Valves and Lockshields, valves that can be fitted with thermostat, Thermostatic valves, or Single pipe, Twin pipe, Stainless steel and thermostatic heads see pages 217 - 218 - 219 - 220)

	code	Description	Price		code	Description	Price
	Z1TLNR#ANR129010	Valve and Lockshield - ValCOLOR Copper Angle 1/2" RAL 9010 Glossy Pure White	€		GVR#	Valve and Lockshield assembly for recessed remote connection, CHROME finish	€
	Z1RAC#R12CRO	2 copper unions diam. 12 mm for ValCOLOR Chrome finish Valve+Lockshield	€		GVR#	Valve and Lockshield assembly for recessed remote connection, COLOUR finish	€
	ZRCF2#	Kit with CHROME-PLATED pipe collars	€				

KUBIK KV 15 VERTICAL SINGLE

Price per radiator with White RAL 9010 finish and standard connectors - VAT and transport charges excluded



Thermal yield $\Delta T 50^{\circ}C$ - Watts per radiator

For correction factors different to $\Delta T 50^{\circ}C$ see page 230

Height		40		50		60		70		80		100		110		120		150	
N° elements	Width (cm)	Watts $\Delta T 50^{\circ}C$	Price (€)	Watts $\Delta T 50^{\circ}C$	Price (€)	Watts $\Delta T 50^{\circ}C$	Price (€)	Watts $\Delta T 50^{\circ}C$	Price (€)	Watts $\Delta T 50^{\circ}C$	Price (€)	Watts $\Delta T 50^{\circ}C$	Price (€)	Watts $\Delta T 50^{\circ}C$	Price (€)	Watts $\Delta T 50^{\circ}C$	Price (€)	Watts $\Delta T 50^{\circ}C$	Price (€)
6	15,4	98		116		135		153		171		207		225		244		300	
7	17,9	115		136		158		179		200		242		263		284		350	
8	20,4	131		155		180		204		228		276		300		325		400	
9	22,9	148		175		203		230		257		311		338		365		450	
10	25,4	164		194		225		255		285		345		375		406		500	
11	27,9	180		213		248		281		314		380		413		447		550	
12	30,4	197		233		270		306		342		414		450		487		600	
13	32,9	213		252		293		332		371		449		488		528		650	
14	35,4	230		272		315		357		399		483		525		568		700	
15	37,9	246		291		338		383		428		518		563		609		750	
16	40,4	262		310		360		408		456		552		600		650		800	
17	42,9	279		330		383		434		485		587		638		690		850	
18	45,4	295		349		405		459		513		621		675		731		900	
19	47,9	312		369		428		485		542		656		713		771		950	
20	50,4	328		388		450		510		570		690		750		812		1000	
21	52,9	344		407		473		536		599		725		788		853		1050	
22	55,4	361		427		495		561		627		759		825		893		1100	
23	57,9	377		446		518		587		656		794		863		934		1150	
24	60,4	394		466		540		612		684		828		900		974		1200	
25	62,9	410		485		563		638		713		863		938		1015		1250	
26	65,4	426		504		585		663		741		897		975		1056		1300	
27	67,9	443		524		608		689		770		932		1013		1096		1350	
28	70,4	459		543		630		714		798		966		1050		1137		1400	
29	72,9	476		563		653		740		827		1001		1088		1177		1450	
30	75,4	492		582		675		765		855		1035		1125		1218		1500	
32	80,4	525		621		720		816		912		1104		1200		1299		1600	
34	85,4	558		660		765		867		969		1173		1275		1380		1700	
36	90,4	590		698		810		918		1026		1242		1350		1462		1800	
38	95,4	623		737		855		969		1083		1311		1425		1543		1900	
40	100,4	656		776		900		1020		1140		1380		1500		1624		2000	
43	107,9	705		834		968		1097		1226		1484							
45	112,9	738		873		1013		1148		1283		1553							
47	117,9	771		912		1058		1199		1340		1622							
50	125,4	820		970		1125		1275		1425		1725							
55	137,9	902		1067		1238		1403		1568		1898							
60	150,4	984		1164		1350		1530		1710		2070							
65	162,9	1066		1261		1463		1658		1853		2243							
70	175,4	1148		1358		1575		1785		1995		2415							

Height		160		180		190		200		210		220		240		250		280	
N° elements	Width (cm)	Watts $\Delta T 50^{\circ}C$	Price (€)	Watts $\Delta T 50^{\circ}C$	Price (€)	Watts $\Delta T 50^{\circ}C$	Price (€)	Watts $\Delta T 50^{\circ}C$	Price (€)	Watts $\Delta T 50^{\circ}C$	Price (€)	Watts $\Delta T 50^{\circ}C$	Price (€)	Watts $\Delta T 50^{\circ}C$	Price (€)	Watts $\Delta T 50^{\circ}C$	Price (€)	Watts $\Delta T 50^{\circ}C$	Price (€)
6	15,4	319		359		379		400		421		443		488		511		582	
7	17,9	372		419		442		467		491		517		569		596		679	
8	20,4	426		479		506		534		562		590		650		681		776	
9	22,9	479		539		569		600		632		664		732		766		873	
10	25,4	532		599		632		667		702		738		813		851		970	
11	27,9	585		659		695		734		772		812		894		936		1067	
12	30,4	638		719		758		800		842		886		976		1021		1164	
13	32,9	692		779		822		867		913		959		1057		1106		1261	
14	35,4	745		839		885		934		983		1033		1138		1191		1358	
15	37,9	798		899		948		1001		1053		1107		1220		1277		1455	
16	40,4	851		958		1011		1067		1123		1181		1301		1362		1552	
17	42,9	904		1018		1074		1134		1193		1255		1382		1447		1649	
18	45,4	958		1078		1138		1201		1264		1328		1463		1532		1746	
19	47,9	1011		1138		1201		1267		1334		1402		1545		1617		1843	
20	50,4	1064		1198		1264		1334		1404		1476		1626		1702		1940	
21	52,9	1117		1258		1327		1401											
22	55,4	1170		1318		1390		1467											
23	57,9	1224		1378		1454		1534											
24	60,4	1277		1438		1517		1601											
25	62,9	1330		1498		1580		1668											
26	65,4	1383		1557		1643		1734											
27	67,9	1436		1617		1706		1801											
28	70,4	1490		1677		1770		1868											
29	72,9	1543		1737		1833		1934											
30	75,4	1596		1797		1896		2001											
32	80,4	1702		1917		2022		2134											
34	85,4	1809		2037		2149		2268											
36	90,4	1915		2156		2275		2401											
38	95,4	2022		2276		2402		2535											
40	100,4	2128		2396		2528		2668											

KUBIK KV 15G VERTICAL SINGLE CHROME-PLATED

Radiator composed of 15x15 mm square section vertical steel elements fusion welded with 28 mm diameter manifolds

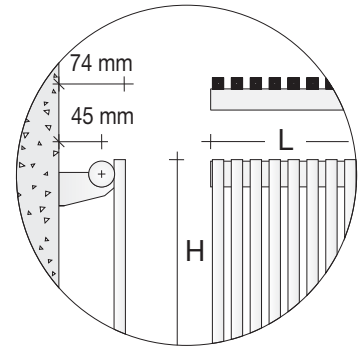


ORDER EXAMPLE

To correctly order this model follow the example specified below:

PRODUCT	KV15G#200 018 0C1 ST CRO
KV15G#200 018	Article code composed of Model, Height (200) and Number of elements (018)
0C1	Connector code found in the table here below
ST	Standard Support code found in the table here below
CRO	Finish code found in the Tubes Colour Chart
ACCESSORIES	
Z1TLNRG#AN R12 CRO	Valve and Lockshield - Copper angle 1/2" for copper pipes or multi-layer pipes - CHROME
Z1RAC#R12CRO	12mm diam. copper pipe unions for Valve+Lockshield – chrome finish (2)

For other types of Valves see the table below or those on pages 217 - 218 - 219 - 220.



CONNECTORS

The radiators are supplied with "0C1" connectors as shown in the table here below.

If different connectors are required, strictly indicate this in the order. **IMPORTANT:** the connectors of the radiators ordered and the radiators connected to the same system should all have the same configuration otherwise operating problems could occur. The OB2 configuration should have two 1/8" diameter chrome-plated plugs on the head of the manifolds.

Standard connectors

Will be supplied if not otherwise specified when placing the order

Custom-made connectors

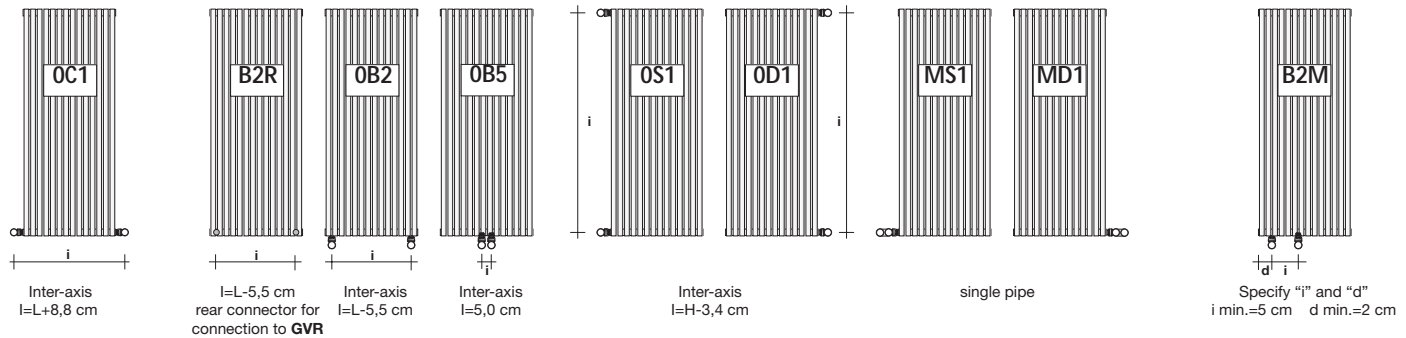
Supplied on request WITH an additional price charge of €

Connectors on request

Supplied on request WITHOUT an additional price charge

Custom-made connectors

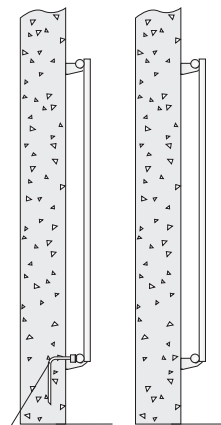
Supplied on request WITH an additional price charge of € (NOT available in chrome-plated version)



SUPPORTS

The radiators are supplied with standard supports (code ST) that include the wall fixing shelves and the manual vent Valve.

The Chrome plated version cannot be supplied with bracket supports



Connection to the Remote Valve Assembly (GVR) with connection B2R

Standard WALL type support (ST code)

ADDITIONAL CHARGES FOR FINISHES (see the official Tubes Colour Chart)

Additional colour/finish charges are calculated over the Pure white (Category C0) price for coloured finishes, and over the Chrome (Category G0) price for plated finishes.

FINISHES

G1 Category	Nickel Satin finish (NIS code) NOT available
G5 (14kt Gold) Category	+50%
G6 (24kt Gold) Category	+60%

Standard VALVES (for Valves and Lockshields, valves that can be fitted with thermostat, Thermostatic valves, or Single pipe, Twin pipe, Stainless steel and thermostatic heads see pages 217 - 218 - 219 - 220)

code	Description	Price	code	Description	Price
 Z1TLNRG#AN R12 CRO	Valve and Lockshield - ValCOLOR Copper Angle 1/2" Glossy CHROME	€	 GVR#	Valve and Lockshield assembly for recessed remote connection, CHROME finish	€
 Z1RAC#R12CRO	2 copper unions diam. 12 mm for ValCOLOR Chrome finish Valve+Lockshield	€	 GVR#	Valve and Lockshield assembly for recessed remote connection, COLOUR finish	€
 ZRCF2#	Kit with CHROME-PLATED pipe collars	€			

KUBIK KV 15G VERTICAL SINGLE CHROME-PLATED*

Price per radiator with Chrome finish and standard connectors - VAT and transport excluded



Thermal yield ΔT 50°C - Watts per radiator

For correction factors different to ΔT 50°C see page 230

Height		40		50		60		70		80		100		110	
N° elements	Width (cm)	Watts ΔT 50°C	Price (€)	Watts ΔT 50°C	Price (€)	Watts ΔT 50°C	Price (€)	Watts ΔT 50°C	Price (€)	Watts ΔT 50°C	Price (€)	Watts ΔT 50°C	Price (€)	Watts ΔT 50°C	Price (€)
6	15,4	79		93		108		122		137		166		180	
7	17,9	92		109		126		143		160		193		210	
8	20,4	105		124		144		163		182		221		240	
9	22,9	118		140		162		184		205		248		270	
10	25,4	131		155		180		204		228		276		300	
11	27,9	144		171		198		224		251		304		330	
12	30,4	157		186		216		245		274		331		360	
13	32,9	171		202		234		265		296		359		390	
14	35,4	184		217		252		286		319		386		420	
15	37,9	197		233		270		306		342		414		450	
16	40,4	210		248		288		326		365		442		480	
17	42,9	223		264		306		347		388		469		510	
18	45,4	236		279		324		367		410		497		540	
19	47,9	249		295		342		388		433		524		570	
20	50,4	262		310		360		408		456		552		600	
21	52,9	276		326		378		428		479		580		630	
22	55,4	289		341		396		449		502		607		660	
23	57,9	302		357		414		469		524		635		690	
24	60,4	315		372		432		490		547		662		720	
25	62,9	328		388		450		510		570		690		750	
26	65,4	341		404		468		530		593		718		780	
27	67,9	354		419		486		551		616		745		810	
28	70,4	367		435		504		571		638		773		840	
29	72,9	380		450		522		592		661		800		870	
30	75,4	394		466		540		612		684		828		900	

Height		120		150		160		180		190		200	
N° elements	Width (cm)	Watts ΔT 50°C	Price (€)	Watts ΔT 50°C	Price (€)	Watts ΔT 50°C	Price (€)	Watts ΔT 50°C	Price (€)	Watts ΔT 50°C	Price (€)	Watts ΔT 50°C	Price (€)
6	15,4	195		240		255		288		303		320	
7	17,9	227		280		298		335		354		374	
8	20,4	260		320		340		383		404		427	
9	22,9	292		360		383		431		455		480	
10	25,4	325		400		426		479		506		534	
11	27,9	357		440		468		527		556		587	
12	30,4	390		480		511		575		607		640	
13	32,9	422		520		553		623		657		694	
14	35,4	455		560		596		671		708		747	
15	37,9	487		600		638		719		758		800	
16	40,4	520		640		681		767		809		854	
17	42,9	552		680		724		815		860		907	
18	45,4	585		720		766		863		910		960	
19	47,9	617		760		809		910		961		1014	
20	50,4	650		800		851		958		1011		1067	
21	52,9	682		840		894		1006		1062		1121	
22	55,4	715		880		936		1054		1112		1174	
23	57,9	747		920		979		1102		1163		1227	
24	60,4	780		960		1021		1150		1213		1281	
25	62,9	812		1000		1064		1198		1264		1334	
26	65,4	844		1040		1107		1246		1315		1387	
27	67,9	877		1080		1149		1294		1365		1441	
28	70,4	909		1120		1192		1342		1416		1494	
29	72,9	942		1160		1234		1390		1466		1547	
30	75,4	974		1200		1277		1438		1517		1601	

* Additional charge for the new galvanic finishings Black Nichel and Tin Glossy +10% on the Chrome version. The same additional charge is valid for the valves too.

KUBIK KV 15D VERTICAL DOUBLE

Radiator composed of 15x15 mm square section vertical steel elements fusion welded with 28 mm diameter manifolds

HW

ORDER EXAMPLE

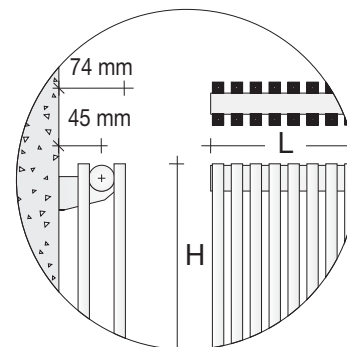
To correctly order this model follow the example specified below:

PRODUCT	KV15D#200 018 0C1 ST 9010
KV15D#200 018	Article code composed of Model, Height (200) and Number of elements (018)
0C1	Connector code found in the table here below
ST	Standard Support code found in the table here below
9010	Colour code found in the TUBES COLOUR CHART

ACCESSORIES

Z1TLNR#AN R12 9010	Valve and Lockshield - Copper angle 1/2" for copper pipes or multi-layer pipes - White RAL 9010
Z1RAC#R12CRO	12mm diam. copper pipe unions for Valve+Lockshield - chrome finish (2)

For other types of Valves see the table below or those on pages 217 - 218 - 219 - 220.



CONNECTORS

The radiators are supplied with "0C1" connectors as shown in the table here below.

If different connectors are required, strictly indicate this in the order. **IMPORTANT:** the connectors of the radiators ordered and the radiators connected to the same system should all have the same configuration otherwise operating problems could occur. The OB2 configuration should have two 1/8" diameter chrome-plated plugs on the head of the manifolds.

Standard connectors

Will be supplied if not otherwise specified when placing the order

Custom-made connectors

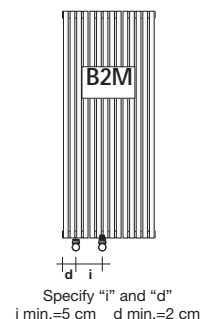
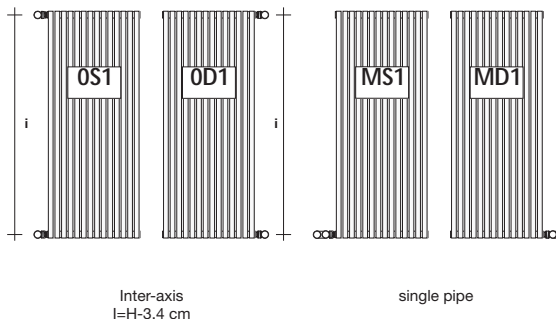
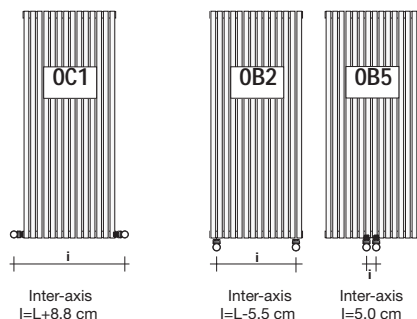
Supplied on request WITH an additional price charge of €

Connectors on request

Supplied on request WITHOUT an additional price charge

Custom-made connectors

Supplied on request WITH an additional price charge of € (NOT available in chrome-plated version)



SUPPORTS

The radiators are supplied with standard supports (code ST) that include the wall fixing shelves and the manual vent Valve.

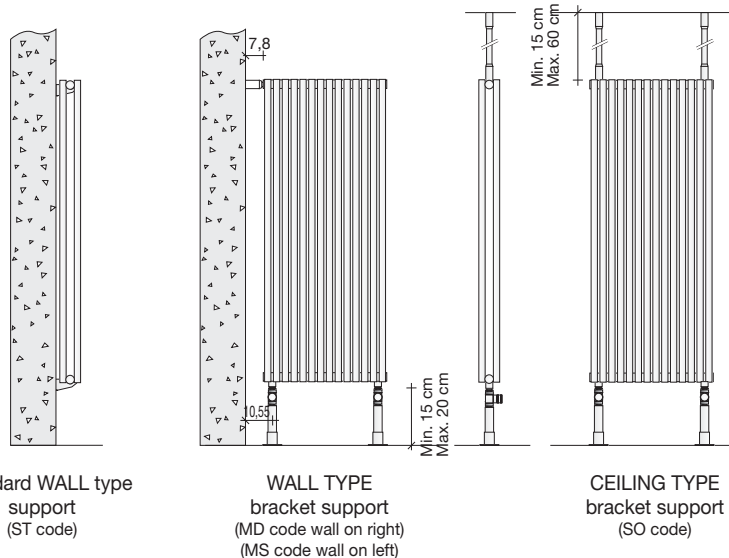
On request they can be ordered with bracket supports that are permanently welded on the towel warmers and therefore must be specified when placing the order, their code and cost are as follows:

code MD	WALL TYPE bracket support on the Right	€
code MS	WALL TYPE bracket support on the Left	€
code SO	CEILING TYPE bracket support	€

LIMITS

WALL TYPE bracket support	Width max 40.4 cm
CEILING TYPE bracket support	Width max 60.4 cm

The Chrome plated version cannot be supplied with bracket supports



ADDITIONAL COLOUR CHARGE (see the official Tubes Colour Chart)

Additional colour charges are calculated over the Pure white price (Cat. C0), for the other categories the additional charges herein below are applicable:

Category C1 and C2	+10%
C3 Category	+20%
RAL not included in the colour chart	+30%
According to samples	Request feasibility and cost estimate

Standard VALVES (for Valves and Lockshields, valves that can be fitted with thermostat, Thermostatic valves, or Single pipe, Twin pipe, Stainless steel and thermostatic heads see pages 217 - 218 - 219 - 220)

code	Description	Price
Z1TLNR#ANR129010	Valve and Lockshield - ValCOLOR Copper Angle 1/2" RAL 9010 Glossy Pure White	€
Z1RAC#R12CRO	2 copper unions diam. 12 mm for ValCOLOR Chrome finish Valve+Lockshield	€
ZRCF2#	Kit with CHROME-PLATED pipe collars	€

KUBIK KV 15D VERTICAL DOUBLE

Price per radiator with White RAL 9010 finish and standard connectors - VAT and transport charges excluded



Thermal yield ΔT 50°C - Watts per radiator

For correction factors different to ΔT 50°C see page 230

Height		40		50		60		70		80		100		110		120		150	
N° elements	Width (cm)	Watts ΔT 50°C	Price (€)	Watts ΔT 50°C	Price (€)	Watts ΔT 50°C	Price (€)	Watts ΔT 50°C	Price (€)	Watts ΔT 50°C	Price (€)	Watts ΔT 50°C	Price (€)	Watts ΔT 50°C	Price (€)	Watts ΔT 50°C	Price (€)	Watts ΔT 50°C	Price (€)
6	15,4	144		172		200		227		254		308		334		361		440	
7	17,9	168		201		233		265		296		359		390		421		514	
8	20,4	192		230		266		302		338		410		446		482		587	
9	22,9	216		258		300		340		381		462		501		542		661	
10	25,4	240		287		333		378		423		513		557		602		734	
11	27,9	264		316		366		416		465		564		613		662		807	
12	30,4	288		344		400		454		508		616		668		722		881	
13	32,9	312		373		433		491		550		667		724		783		954	
14	35,4	336		402		466		529		592		718		780		843		1028	
15	37,9	360		431		500		567		635		770		836		903		1101	
16	40,4	384		459		533		605		677		821		891		963		1174	
17	42,9	408		488		566		643		719		872		947		1023		1248	
18	45,4	432		517		599		680		761		923		1003		1084		1321	
19	47,9	456		545		633		718		804		975		1058		1144		1395	
20	50,4	480		574		666		756		846		1026		1114		1204		1468	
21	52,9	504		603		699		794		888		1077		1170		1264		1541	
22	55,4	528		631		733		832		931		1129		1225		1324		1615	
23	57,9	552		660		766		869		973		1180		1281		1385		1688	
24	60,4	576		689		799		907		1015		1231		1337		1445		1762	
25	62,9	600		718		833		945		1058		1283		1393		1505		1835	
26	65,4	624		746		866		983		1100		1334		1448		1565		1908	
27	67,9	648		775		899		1021		1142		1385		1504		1625		1982	
28	70,4	672		804		932		1058		1184		1436		1560		1686		2055	
29	72,9	696		832		966		1096		1227		1488		1615		1746		2129	
30	75,4	720		861		999		1134		1269		1539		1671		1806		2202	
32	80,4	768		918		1066		1210		1354		1642		1782		1926		2349	
34	85,4	816		976		1132		1285		1438		1744		1894		2047		2496	
36	90,4	864		1033		1199		1361		1523		1847		2005		2167		2642	
38	95,4	912		1091		1265		1436		1607		1949		2117		2288		2789	
40	100,4	960		1148		1332		1512		1692		2052		2228		2408		2936	
43	107,9	1032		1234		1432		1625		1819		2206							
45	112,9	1080		1292		1499		1701		1904		2309							
47	117,9	1128		1349		1565		1777		1988		2411							
50	125,4	1200		1435		1665		1890		2115		2565							
55	137,9	1320		1579		1832		2079		2327		2822							
60	150,4	1440		1722		1998		2268		2538		3078							
65	162,9	1560		1866		2165		2457		2750		3335							
70	175,4	1680		2009		2331		2646		2961		3591							

Height		160		180		190		200		210		220		240		250		280	
N° elements	Width (cm)	Watts ΔT 50°C	Price (€)	Watts ΔT 50°C	Price (€)	Watts ΔT 50°C	Price (€)	Watts ΔT 50°C	Price (€)	Watts ΔT 50°C	Price (€)	Watts ΔT 50°C	Price (€)	Watts ΔT 50°C	Price (€)	Watts ΔT 50°C	Price (€)	Watts ΔT 50°C	Price (€)
6	15,4	470		527		554		583		613		642		702		733		827	
7	17,9	549		615		647		680		715		749		819		855		965	
8	20,4	627		702		739		778		817		856		936		977		1102	
9	22,9	706		790		832		875		919		963		1053		1099		1240	
10	25,4	784		878		924		972		1021		1070		1170		1221		1378	
11	27,9	862		966		1016		1069		1123		1177		1287		1343		1516	
12	30,4	941		1054		1109		1166		1225		1284		1404		1465		1654	
13	32,9	1019		1141		1201		1264		1327		1391		1521		1587		1791	
14	35,4	1098		1229		1294		1361		1429		1498		1638		1709		1929	
15	37,9	1176		1317		1386		1458		1532		1605		1755		1832		2067	
16	40,4	1254		1405		1478		1555		1634		1712		1872		1954		2205	
17	42,9	1333		1493		1571		1652		1736		1819		1989		2076		2343	
18	45,4	1411		1580		1663		1750		1838		1926		2106		2198		2480	
19	47,9	1490		1668		1756		1847		1940		2033		2223		2320		2618	
20	50,4	1568		1756		1848		1944		2042		2140		2340		2442		2756	
21	52,9	1646		1844		1940		2041											
22	55,4	1725		1932		2033		2138											
23	57,9	1803		2019		2125		2236											
24	60,4	1882		2107		2218		2333											
25	62,9	1960		2195		2310		2430											
26	65,4	2038		2283		2402		2527											
27	67,9	2117		2371		2495		2624											
28	70,4	2195		2458		2587		2722											
29	72,9	2274		2546		2680		2819											
30	75,4	2352		2634		2772		2916											
32	80,4	2509		2810		2957		3110											
34	85,4	2666		2985		3142		3305											
36	90,4	2822		3161		3326		3499											
38	95,4	2979		3336		3511		3694											
40	100,4	3136		3512		3696		3888											

KUBIK KO 15 HORIZONTAL SINGLE

Radiator composed of 15x15 mm square section horizontal steel elements fusion welded with 28 mm diameter manifolds

HW

ORDER EXAMPLE

To correctly order this model follow the example specified below:

PRODUCT

KO15#200 018
0B1
ST
9010

KO15#200 018 0B1 ST 9010

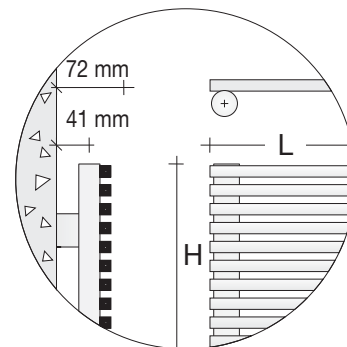
Article code composed of Model, Width (200) and Number of elements (018)
Connector code found in the table here below
Standard Support code found in the table here below
Colour code found in the TUBES COLOUR CHART

ACCESSORIES

Z1TLNR#AN R12 9010
Z1RAC#R12CRO

Valve and Lockshield - Copper angle 1/2" for copper pipes or multi-layer pipes - White RAL 9010
12mm diam. copper pipe unions for Valve+Lockshield - chrome finish (2)

For other types of Valves see the table below or those on pages 217 - 218 - 219 - 220.



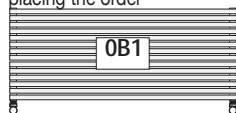
CONNECTORS

The radiators are supplied with "0B1" connectors as shown in the table here below.

If different connectors are required with strictly indicate this in the order. **IMPORTANT:** the connectors of towel warmers and radiators connected to the same system should all have the same configuration otherwise operating problems could occur.

Standard connectors

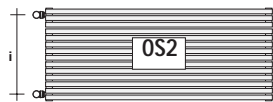
Will be supplied if not otherwise specified when placing the order



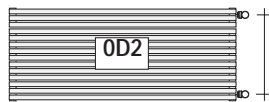
Inter-axis
L=L-3,4 cm

Custom-made connectors

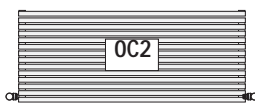
Supplied on request WITH an additional price charge of € (NOT available in chrome-plated version)



Inter-axis
L=H-5,5 cm



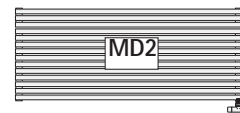
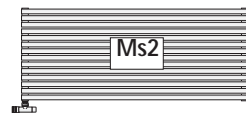
Inter-axis
L=H-5,5 cm



Inter-axis
L=L+13,8 cm

Connectors on request

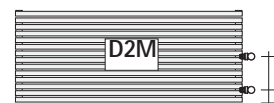
Supplied on request WITHOUT an additional price charge



single pipe

Custom-made connectors

Supplied on request WITH an additional price charge of € (NOT available in chrome-plated version)



Specify "i" and "d"
i min.=5 cm d min.=2 cm

SUPPORTS

The radiators are supplied with standard supports (code ST) that include the wall fixing shelves and the manual vent Valve.

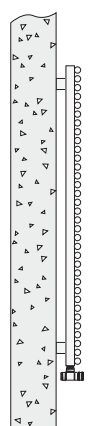
On request they can be ordered with bracket supports that are permanently welded on the towel warmers and therefore must be specified when placing the order, their code and cost are as follows:

code MD WALL TYPE bracket support on the Right €
code MS WALL TYPE bracket support on the Left €
code SO CEILING TYPE bracket support €

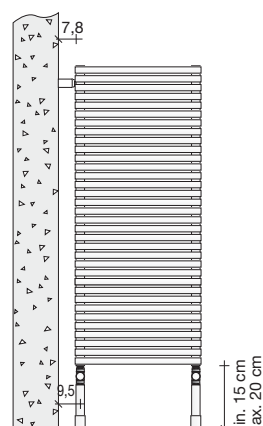
LIMITS

WALL TYPE bracket support Width max 60.0 cm
CEILING TYPE bracket support Width max 80.0 cm

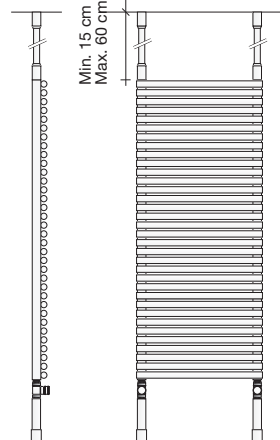
The Chrome plated version cannot be supplied with bracket supports



Standard WALL type support (ST code)



WALL TYPE bracket support (MD code wall on right) (MS code wall on left)



CEILING TYPE bracket support (SO code)

ADDITIONAL COLOUR CHARGE (see the official Tubes Colour Chart)

Additional colour charges are calculated over the Pure white price (Cat. C0), for the other categories the additional charges herein below are applicable:

Category C1 and C2 +10%

C3 Category +20%

RAL not included in the colour chart +30%

According to samples Request feasibility and cost estimate

Standard VALVES (for Valves and Lockshields, valves that can be fitted with thermostat, Thermostatic valves, or Single pipe, Twin pipe, Stainless steel and thermostatic heads see pages 217 - 218 - 219 - 220)

code	Description	Price
Z1TLNR#ANR129010	Valve and Lockshield - ValCOLOR Copper Angle 1/2" RAL 9010 Glossy Pure White	€
Z1RAC#R12CRO	2 copper unions diam. 12 mm for ValCOLOR Chrome finish Valve+Lockshield	€
ZRCF2#	Kit with CHROME-PLATED pipe collars	€

KUBIK KO 15 HORIZONTAL SINGLE

Price per radiator with White RAL 9010 finish and standard connectors - VAT and transport charges excluded



Thermal yield ΔT 50°C - Watts per radiator

For correction factors different to ΔT 50°C see page 230

Width		40		50		60		70		80		100		110		120		150	
N° elements	Height (cm)	Watts ΔT 50°C	Price (€)	Watts ΔT 50°C	Price (€)	Watts ΔT 50°C	Price (€)	Watts ΔT 50°C	Price (€)	Watts ΔT 50°C	Price (€)	Watts ΔT 50°C	Price (€)	Watts ΔT 50°C	Price (€)	Watts ΔT 50°C	Price (€)	Watts ΔT 50°C	Price (€)
6	15,4	95		118		142		165		189		236		260		284		354	
7	17,9	110		138		165		193		220		276		303		331		413	
8	20,4	126		157		189		220		252		315		346		378		472	
9	22,9	142		177		212		248		283		354		389		425		531	
10	25,4	157		197		236		275		314		393		432		472		590	
11	27,9	173		216		259		302		345		432		475		518		648	
12	30,4	188		235		282		329		376		470		517		564		705	
13	32,9	203		254		305		356		407		509		559		610		763	
14	35,4	219		273		328		383		437		547		601		656		820	
15	37,9	234		292		351		409		467		584		643		701		876	
16	40,4	249		311		373		435		497		622		684		746		933	
17	42,9	264		329		395		461		527		659		725		791		988	
18	45,4	278		348		417		487		557		696		765		835		1044	
19	47,9	293		366		439		513		586		732		806		879		1098	
20	50,4	307		384		461		538		615		769		845		922		1153	
21	52,9	322		402		483		563		644		805		885		965		1207	
22	55,4	336		420		504		588		672		840		924		1008		1260	
23	57,9	350		438		525		613		700		875		963		1050		1313	
24	60,4	364		455		546		637		728		910		1001		1092		1366	
25	62,9	378		473		567		662		756		945		1040		1134		1418	
26	65,4	392		490		588		686		783		979		1077		1175		1469	
27	67,9	405		507		608		709		811		1013		1115		1216		1520	
28	70,4	419		524		628		733		838		1047		1152		1256		1571	
29	72,9	432		540		648		756		864		1080		1188		1296		1620	
30	75,4	445		557		668		779		891		1113		1225		1336		1670	
32	80,4	471		589		707		825		943		1178		1296		1414		1768	
34	85,4	497		621		745		869		994		1242		1366		1491		1863	
36	90,4	522		652		783		913		1044		1304		1435		1565		1957	
38	95,4	546		683		819		956		1092		1366		1502		1639		2048	
40	100,4	570		713		855		998		1140		1425		1568		1710		2138	
43	107,9	605		756		907		1059		1210		1512							
45	112,9	628		784		941		1098		1255		1569							
47	117,9	650		812		974		1137		1299		1624							
50	125,4	682		852		1023		1193		1364		1704							
55	137,9	733		916		1099		1283		1466		1832							
60	150,4	781		976		1171		1367		1562		1952							
65	162,9	826		1033		1239		1446		1652		2065							
70	175,4	868		1085		1302		1520		1737		2171							

Width		160		180		190		200		210		220		240		250		280	
N° elements	Height (cm)	Watts ΔT 50°C	Price (€)	Watts ΔT 50°C	Price (€)	Watts ΔT 50°C	Price (€)	Watts ΔT 50°C	Price (€)	Watts ΔT 50°C	Price (€)	Watts ΔT 50°C	Price (€)	Watts ΔT 50°C	Price (€)	Watts ΔT 50°C	Price (€)	Watts ΔT 50°C	Price (€)
6	15,4	378		425		449		473		496		520		567		591		662	
7	17,9	441		496		524		551		579		606		661		689		772	
8	20,4	504		567		598		630		661		693		756		787		882	
9	22,9	566		637		673		708		743		779		850		885		991	
10	25,4	629		707		747		786		825		865		943		983		1100	
11	27,9	691		777		820		863		907		950		1036		1079		1209	
12	30,4	752		846		893		940		987		1034		1128		1176		1317	
13	32,9	814		915		966		1017		1068		1119		1220		1271		1424	
14	35,4	874		984		1038		1093		1148		1202		1312		1366		1530	
15	37,9	935		1052		1110		1168		1227		1285		1402		1461		1636	
16	40,4	995		1119		1181		1243		1306		1368		1492		1554		1741	
17	42,9	1054		1186		1252		1318		1383		1449		1581		1647		1845	
18	45,4	1113		1252		1322		1391		1461		1531		1670		1739		1948	
19	47,9	1172		1318		1391		1465		1538		1611		1758		1831		2050	
20	50,4	1230		1383		1460		1537		1614		1691		1844		1921		2152	
21	52,9	1287		1448		1529		1609											
22	55,4	1344		1512		1596		1680											
23	57,9	1401		1576		1663		1751											
24	60,4	1457		1639		1730		1821											
25	62,9	1512		1701		1796		1890											
26	65,4	1567		1763		1861		1959											
27	67,9	1621		1824		1925		2027											
28	70,4	1675		1885		1989		2094											
29	72,9	1728		1945		2053		2161											
30	75,4	1781		2004		2115		2227											
32	80,4	1885		2121		2239		2357											
34	85,4	1987		2236		2360		2484											
36	90,4	2087		2348		2478		2609											
38	95,4	2185		2458		2594		2731											
40	100,4	2280		2565		2708		2850											

KUBIK KO 15G HORIZONTAL SINGLE CHROME-PLATED

Radiator composed of 15x15 mm square section horizontal steel elements fusion welded with 28 mm diameter manifolds

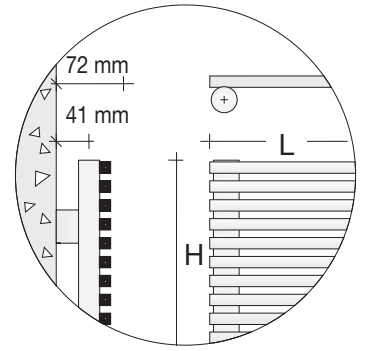


ORDER EXAMPLE

To correctly order this model follow the example specified below:

PRODUCT	KO15G#200 018 0B1 ST CRO
KO15G#200 018	Article code composed of Model, Width (200) and Number of elements (018)
0B1	Connector code found in the table here below
ST	Standard Support code found in the table here below
CRO	Finish code found in the Tubes Colour Chart
ACCESSORIES	
Z1TLNRG#AN R12 CRO	Valve and Lockshield - Copper angle 1/2" for copper pipes or multi-layer pipes - CHROME
Z1RAC#R12CRO	12mm diam. copper pipe unions for Valve+Lockshield - chrome finish (2)

For other types of Valves see the table below or those on pages 217 - 218 - 219 - 220.



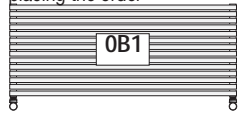
CONNECTORS

The radiators are supplied with "0B1" connectors as shown in the table here below.

If different connectors are required with strictly indicate this in the order. **IMPORTANT:** the connectors of towel warmers and radiators connected to the same system should all have the same configuration otherwise operating problems could occur.

Standard connectors

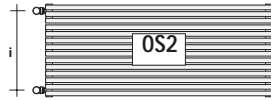
Will be supplied if not otherwise specified when placing the order



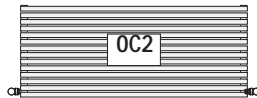
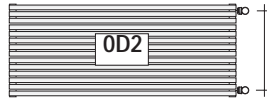
Inter-axis
l=L-3,4 cm

Custom-made connectors

Supplied on request WITH an additional price charge of €



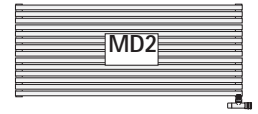
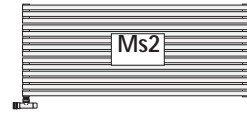
Inter-axis
l=H-5,5 cm



Inter-axis
l=L+13,8 cm

Connectors on request

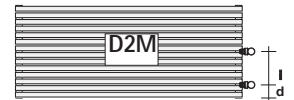
Supplied on request WITHOUT an additional price charge



single pipe

Custom-made connectors

Supplied on request WITH an additional price charge of € (NOT available in chrome-plated version)

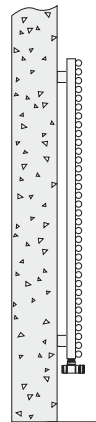


Specify "i" and "d"
i min.=5 cm d min.=2 cm

SUPPORTS

The radiators are supplied with standard supports (code ST) that include the wall fixing shelves and the manual vent Valve.

The Chrome plated version cannot be supplied with bracket supports



Standard WALL type support (ST code)

ADDITIONAL CHARGES FOR FINISHES (see the official Tubes Colour Chart)

Additional colour/finish charges are calculated over the Pure white (Category C0) price for coloured finishes, and over the Chrome (Category G0) price for plated finishes.

G1 Category	Nickel Satin finish (NIS code) NOT available
G5 (14kt Gold) Category	+50%
G6 (24kt Gold) Category	+60%

Standard VALVES (for Valves and Lockshields, valves that can be fitted with thermostat, Thermostatic valves, or Single pipe, Twin pipe, Stainless steel and thermostatic heads see pages 217 - 218 - 219 - 220)

	code	Description	Price
	Z1TLNRG#ANR12CRO	Valve and Lockshield - ValCOLOR Copper Angle 1/2" Glossy CHROME	€
	Z1RAC#R12CRO	2 copper unions diam. 12 mm for ValCOLOR Chrome finish Valve+Lockshield	€
	ZRCF2#	Kit with CHROME-PLATED pipe collars	€

KUBIK KO 15G HORIZONTAL SINGLE CHROME-PLATED*

Price per radiator with Chrome finish and standard connectors - VAT and transport excluded



Thermal yield ΔT 50°C - Watts per radiator

For correction factors different to ΔT 50°C see page 230

Width		40		50		60		70		80		100		110	
N° elements	Height (cm)	Watts ΔT 50°C	Price (€)	Watts ΔT 50°C	Price (€)	Watts ΔT 50°C	Price (€)	Watts ΔT 50°C	Price (€)	Watts ΔT 50°C	Price (€)	Watts ΔT 50°C	Price (€)	Watts ΔT 50°C	Price (€)
6	15,4	76		95		113		132		151		189		208	
7	17,9	88		110		132		154		176		220		243	
8	20,4	101		126		151		176		202		252		277	
9	22,9	113		142		170		198		227		283		312	
10	25,4	126		157		189		220		252		314		346	
11	27,9	138		173		207		242		276		345		380	
12	30,4	150		188		226		263		301		376		414	
13	32,9	163		203		244		285		325		407		447	
14	35,4	175		219		262		306		350		437		481	
15	37,9	187		234		280		327		374		467		514	
16	40,4	199		249		298		348		398		497		547	
17	42,9	211		264		316		369		422		527		580	
18	45,4	223		278		334		390		445		557		612	
19	47,9	234		293		352		410		469		586		644	
20	50,4	246		307		369		430		492		615		676	
21	52,9	257		322		386		451		515		644		708	
22	55,4	269		336		403		470		538		672		739	
23	57,9	280		350		420		490		560		700		770	
24	60,4	291		364		437		510		583		728		801	
25	62,9	302		378		454		529		605		756		832	
26	65,4	313		392		470		548		627		783		862	
27	67,9	324		405		486		567		649		811		892	
28	70,4	335		419		503		586		670		838		921	
29	72,9	346		432		519		605		691		864		951	
30	75,4	356		445		534		623		713		891		980	

Width		120		150		160		180		190		200	
N° elements	Height (cm)	Watts ΔT 50°C	Price (€)	Watts ΔT 50°C	Price (€)	Watts ΔT 50°C	Price (€)	Watts ΔT 50°C	Price (€)	Watts ΔT 50°C	Price (€)	Watts ΔT 50°C	Price (€)
6	15,4	227		284		302		340		359		378	
7	17,9	265		331		353		397		419		441	
8	20,4	302		378		403		453		479		504	
9	22,9	340		425		453		510		538		566	
10	25,4	377		472		503		566		597		629	
11	27,9	414		518		553		622		656		691	
12	30,4	451		564		602		677		715		752	
13	32,9	488		610		651		732		773		814	
14	35,4	525		656		700		787		831		874	
15	37,9	561		701		748		841		888		935	
16	40,4	597		746		796		895		945		995	
17	42,9	632		791		843		949		1001		1054	
18	45,4	668		835		890		1002		1057		1113	
19	47,9	703		879		937		1055		1113		1172	
20	50,4	738		922		984		1107		1168		1230	
21	52,9	772		965		1030		1158		1223		1287	
22	55,4	806		1008		1075		1210		1277		1344	
23	57,9	840		1050		1121		1261		1331		1401	
24	60,4	874		1092		1165		1311		1384		1457	
25	62,9	907		1134		1210		1361		1436		1512	
26	65,4	940		1175		1254		1410		1489		1567	
27	67,9	973		1216		1297		1459		1540		1621	
28	70,4	1005		1256		1340		1508		1591		1675	
29	72,9	1037		1296		1383		1556		1642		1728	
30	75,4	1069		1336		1425		1603		1692		1781	

* Additional charge for the new galvanic finishings Black Nichel and Tin Glossy +10% on the Chrome version. The same additional charge is valid for the valves too.

KUBIK KO 15D HORIZONTAL DOUBLE

Radiator composed of 15x15 mm square section horizontal steel elements fusion welded with 28 mm diameter manifolds

ORDER EXAMPLE

To correctly order this model follow the example specified below:

PRODUCT

KO15D#200 018
OB1
ST
9010

KO15D#200 018 OB1 ST 9010

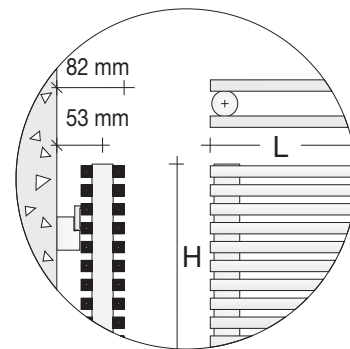
Article code composed of Model, Width (200) and Number of elements (018)
Connector code found in the table here below
Standard Support code found in the table here below
Colour code found in the TUBES COLOUR CHART

ACCESSORIES

Z1TLNR#AN R12 9010
Z1RAC#R12CRO

Valve and Lockshield - Copper angle 1/2" for copper pipes or multi-layer pipes - White RAL 9010
12mm diam. copper pipe unions for Valve+Lockshield - chrome finish (2)

For other types of Valves see the table below or those on pages 217 - 218 - 219 - 220.



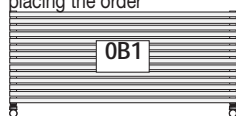
CONNECTORS

The radiators are supplied with "OB1" connectors as shown in the table here below.

If different connectors are required with strictly indicate this in the order. **IMPORTANT:** the connectors of towel warmers and radiators connected to the same system should all have the same configuration otherwise operating problems could occur.

Standard connectors

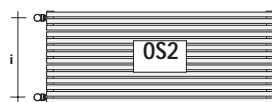
Will be supplied if not otherwise specified when placing the order



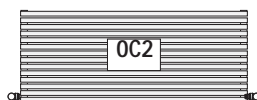
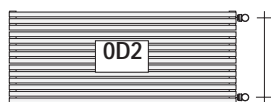
Inter-axis
l=L-3,4 cm

Custom-made connectors

Supplied on request WITH an additional price charge of € (NOT available in chrome-plated version)



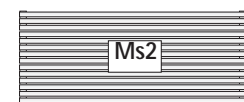
Inter-axis
l=H-5,5 cm



Inter-axis
l=L+13,8 cm

Connectors on request

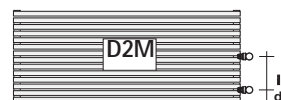
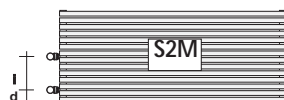
Supplied on request WITHOUT an additional price charge



single pipe

Custom-made connectors

Supplied on request WITH an additional price charge of € (NOT available in chrome-plated version)



Specify "i" and "d"
i min.=5 cm d min.=2 cm

SUPPORTS

The radiators are supplied with standard supports (code ST) that include the wall fixing shelves and the manual vent Valve.

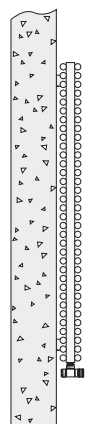
On request they can be ordered with bracket supports that are permanently welded on the towel warmers and therefore must be specified when placing the order, their code and cost are as follows:

- code MD WALL TYPE bracket support on the Right €
- code MS WALL TYPE bracket support on the Left €
- code SO CEILING TYPE bracket support €

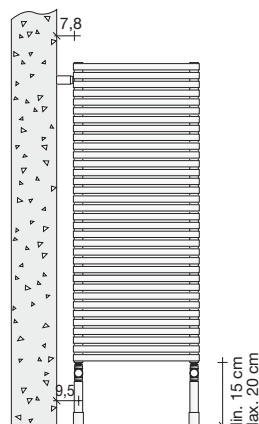
LIMITS

- WALL TYPE bracket support Width max 40.0 cm
- CEILING TYPE bracket support Width max 60.0 cm

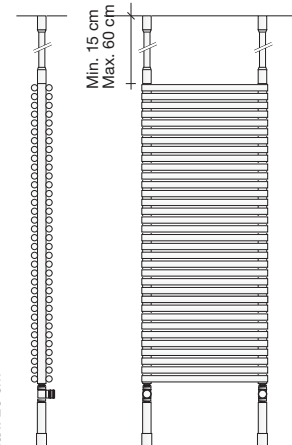
The Chrome plated version cannot be supplied with bracket supports



Standard WALL type support (ST code)



WALL TYPE bracket support (MD code wall on right) (MS code wall on left)



CEILING TYPE bracket support (SO code)

ADDITIONAL COLOUR CHARGE (see the official Tubes Colour Chart)

Additional colour charges are calculated over the Pure white price (Cat. C0), for the other categories the additional charges herein below are applicable:

Category C1 and C2 +10%

C3 Category +20%

RAL not included in the colour chart +30%

According to samples Request feasibility and cost estimate

Standard VALVES (for Valves and Lockshields, valves that can be fitted with thermostat, Thermostatic valves, or Single pipe, Twin pipe, Stainless steel and thermostatic heads see pages 217 - 218 - 219 - 220)

code	Description	Price
Z1TLNR#ANR129010	Valve and Lockshield - ValCOLOR Copper Angle 1/2" RAL 9010 Glossy Pure White	€
Z1RAC#R12CRO	2 copper unions diam. 12 mm for ValCOLOR Chrome finish Valve+Lockshield	€
ZRCF2#	Kit with CHROME-PLATED pipe collars	€

KUBIK KO 15D HORIZONTAL DOUBLE

Price per radiator with White RAL 9010 finish and standard connectors - VAT and transport charges excluded



Thermal yield $\Delta T 50^{\circ}C$ - Watts per radiator

For correction factors different to $\Delta T 50^{\circ}C$ see page 230

Width		40		50		60		70		80		100		110		120		150	
N° elements	Height (cm)	Watts $\Delta T 50^{\circ}C$	Price (€)	Watts $\Delta T 50^{\circ}C$	Price (€)	Watts $\Delta T 50^{\circ}C$	Price (€)	Watts $\Delta T 50^{\circ}C$	Price (€)	Watts $\Delta T 50^{\circ}C$	Price (€)	Watts $\Delta T 50^{\circ}C$	Price (€)	Watts $\Delta T 50^{\circ}C$	Price (€)	Watts $\Delta T 50^{\circ}C$	Price (€)	Watts $\Delta T 50^{\circ}C$	Price (€)
6	15,4	191		238		286		334		382		477		525		572		715	
7	17,9	213		266		319		373		426		532		586		639		799	
8	20,4	234		293		351		410		469		586		644		703		879	
9	22,9	255		319		382		446		510		637		701		765		956	
10	25,4	275		344		412		481		550		687		756		825		1031	
11	27,9	294		368		442		515		589		736		810		883		1104	
12	30,4	313		392		470		548		627		783		862		940		1175	
13	32,9	332		415		498		581		664		830		913		996		1245	
14	35,4	350		438		525		613		700		875		963		1050		1313	
15	37,9	368		460		552		644		736		920		1012		1104		1380	
16	40,4	385		482		578		674		771		964		1060		1156		1445	
17	42,9	403		503		604		705		805		1007		1107		1208		1510	
18	45,4	419		524		629		734		839		1049		1154		1258		1573	
19	47,9	436		545		654		763		872		1090		1199		1308		1635	
20	50,4	453		566		679		792		905		1131		1244		1358		1697	
21	52,9	469		586		703		820		937		1172		1289		1406		1758	
22	55,4	485		606		727		848		969		1212		1333		1454		1817	
23	57,9	500		625		751		876		1001		1251		1376		1501		1876	
24	60,4	516		645		774		903		1032		1290		1419		1548		1935	
25	62,9	531		664		797		930		1062		1328		1461		1594		1992	
26	65,4	546		683		820		956		1093		1366		1503		1639		2049	
27	67,9	561		702		842		983		1123		1404		1544		1684		2105	
28	70,4	576		720		864		1008		1153		1441		1585		1729		2161	
29	72,9	591		739		886		1034		1182		1477		1625		1773		2216	
30	75,4	605		757		908		1060		1211		1514		1665		1816		2271	
32	80,4	634		793		951		1110		1268		1585		1744		1902		2378	
34	85,4	662		828		993		1159		1325		1656		1821		1987		2484	
36	90,4	690		862		1035		1207		1380		1725		1897		2070		2587	
38	95,4	717		896		1076		1255		1434		1793		1972		2151		2689	
40	100,4	744		930		1116		1302		1488		1860		2046		2232		2789	
43	107,9	783		979		1175		1371		1566		1958							
45	112,9	809		1011		1213		1416		1618		2022							
47	117,9	834		1043		1252		1460		1669		2086							
50	125,4	872		1090		1308		1526		1744		2180							
55	137,9	933		1166		1399		1632		1866		2332							
60	150,4	992		1240		1488		1736		1984		2480							
65	162,9	1050		1312		1574		1837		2099		2624							
70	175,4	1105		1381		1657		1933		2210		2762							

Width		160		180		190		200		210		220		240		250		280	
N° elements	Height (cm)	Watts $\Delta T 50^{\circ}C$	Price (€)	Watts $\Delta T 50^{\circ}C$	Price (€)	Watts $\Delta T 50^{\circ}C$	Price (€)	Watts $\Delta T 50^{\circ}C$	Price (€)	Watts $\Delta T 50^{\circ}C$	Price (€)	Watts $\Delta T 50^{\circ}C$	Price (€)	Watts $\Delta T 50^{\circ}C$	Price (€)	Watts $\Delta T 50^{\circ}C$	Price (€)	Watts $\Delta T 50^{\circ}C$	Price (€)
6	15,4	763		858		906		954		1001		1049		1145		1192		1335	
7	17,9	852		958		1012		1065		1118		1171		1278		1331		1491	
8	20,4	937		1054		1113		1171		1230		1289		1406		1464		1640	
9	22,9	1020		1147		1211		1274		1338		1402		1529		1593		1784	
10	25,4	1100		1237		1306		1375		1443		1512		1650		1718		1924	
11	27,9	1178		1325		1398		1472		1546		1619		1766		1840		2061	
12	30,4	1253		1410		1488		1567		1645		1723		1880		1959		2194	
13	32,9	1328		1494		1577		1660		1743		1826		1992		2075		2324	
14	35,4	1400		1576		1663		1751		1838		1926		2101		2188		2451	
15	37,9	1472		1656		1748		1840		1932		2024		2208		2300		2575	
16	40,4	1542		1734		1831		1927		2023		2120		2312		2409		2698	
17	42,9	1610		1812		1912		2013		2114		2214		2416		2516		2818	
18	45,4	1678		1888		1993		2097		2202		2307		2517		2622		2936	
19	47,9	1744		1963		2072		2181		2290		2399		2617		2726		3053	
20	50,4	1810		2036		2149		2263		2376		2489		2715		2828		3168	
21	52,9	1875		2109		2226		2343											
22	55,4	1939		2181		2302		2423											
23	57,9	2001		2252		2377		2502											
24	60,4	2064		2321		2450		2579											
25	62,9	2125		2391		2523		2656											
26	65,4	2186		2459		2595		2732											
27	67,9	2246		2526		2667		2807											
28	70,4	2305		2593		2737		2881											
29	72,9	2364		2659		2807		2955											
30	75,4	2422		2725		2876		3027											
32	80,4	2537		2854		3012		3171											
34	85,4	2649		2980		3146		3311											
36	90,4	2760		3105		3277		3450											
38	95,4	2868		3227		3406		3585											
40	100,4	2975		3347		3533		3719											

SIZES AVAILABLE ON REQUEST: L.90/130/140/170/230/260/270

ORDER EXAMPLE

To correctly order this model follow the example specified below:

PRODUCT

RKO15#120 024
0B1
ST
9010
043

RKO15#120 024 0B1 ST 9010 212

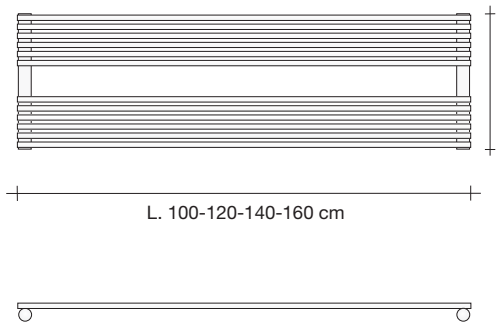
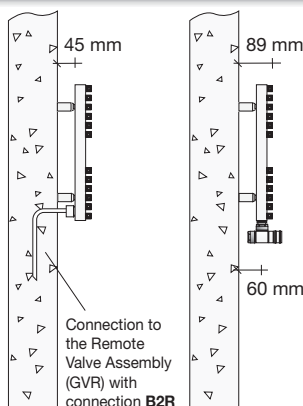
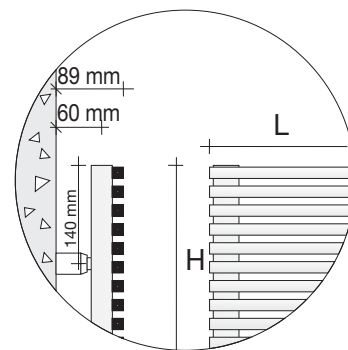
Article code composed of Model, Width (120) and Number of elements (024)
 Connector code found in the table here below
 Standard Support code found in the table here below
 Colour code found in the TUBES COLOUR CHART
 Sequence code found in the table on the side

ACCESSORIES

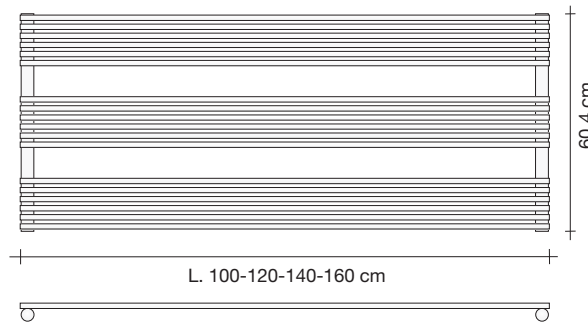
Z1TLNR#AN R12 9010
Z1RAC#R12CRO

Valve and Lockshield - Copper angle 1/2" for copper pipes or multi-layer pipes - White RAL 9010
 12mm diam. copper pipe unions for Valve+Lockshield – chrome finish (2)

For other types of Valves see the table below or those on pages 217 - 218 - 219 - 220.



RKO15#...212



RKO15#...084

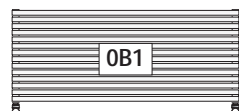
CONNECTORS

The radiators are supplied with "0B1" connectors as shown in the table here below.

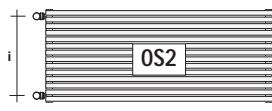
If different connectors are required with strictly indicate this in the order. **IMPORTANT:** the connectors of towel warmers and radiators connected to the same system should all have the same configuration otherwise operating problems could occur.

Standard connectors

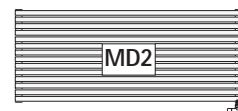
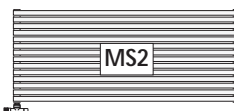
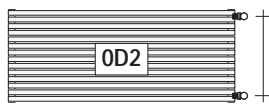
Will be supplied if not otherwise specified when placing the order



Inter-axis
I=L-3,4 cm



Inter-axis
I=H-5,5 cm



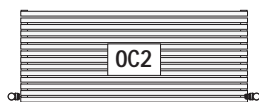
single pipe

Rear connector

Supplied on request WITH an additional price charge of €



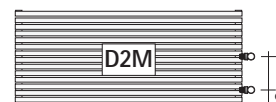
I=L-3,4 cm
rear connector for connection to **GVR**



Inter-axis
I=L+13,1 cm

Custom-made connectors

Supplied on request WITH an additional price charge of € (NOT available in chrome-plated version)



Custom made interaxis, specify "i" and "d"

Standard VALVES (for Valves and Lockshields, valves that can be fitted with thermostat, Thermostatic valves, or Single pipe, Twin pipe, Stainless steel and thermostatic heads see pages 217 - 218 - 219 - 220)

	code	Description	Price
	Z1TLNR#ANR129010	Valve and Lockshield - ValCOLOR Copper Angle 1/2" RAL 9010 Glossy Pure White	€
	Z1RAC#R12CRO	2 copper unions diam. 12 mm for ValCOLOR Chrome finish Valve+Lockshield	€
	ZRCF#	Kit with pipe collars for towel warmers	€

	code	Description	Price
	GVR#	Valve and Lockshield assembly for recessed remote connection, CHROME finish	€
	GVR#	Valve and Lockshield assembly for recessed remote connection, COLOUR finish	€

KUBIK RITMATO RKO15 STANDARD

Price for items with standard connectors. VAT and transport costs not included.



Thermal yield ΔT 50°C - Watts per radiator

For correction factors different to ΔT 50°C see page 230

Width (cm)	Height (cm)	Coloured version			Chrome plated version		
		Thermal yield (Watts)	Category C0 (€)	Category C1 (€)	Category C3 (€)	Thermal yield (Watts)	CHROME plated finish * (€)
100,0	37,9	502				452	
120,0	37,9	603				543	
140,0	37,9	703				633	
160,0	37,9	804				724	

Width (cm)	Height (cm)	Coloured version			Chrome plated version		
		Thermal yield (Watts)	Category C0 (€)	Category C1 (€)	Category C3 (€)	Thermal yield (Watts)	CHROME plated finish * (€)
100,0	60,4	754				679	
120,0	60,4	904				814	
140,0	60,4	1055				950	
160,0	60,4	1206				1085	

* Additional charge for the new galvanic finishings Black Nichel and Tin Glossy +10% on the Chrome version. The same additional charge is valid for the valves too.

