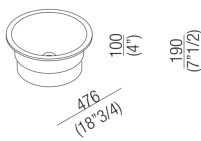




Washbasins In-Out  
**ACER1061SZ**

Benedini Associati, 2010

Semi-recessed washbasin



**Finishes**



White Exmar  
**ACER1061SZ**

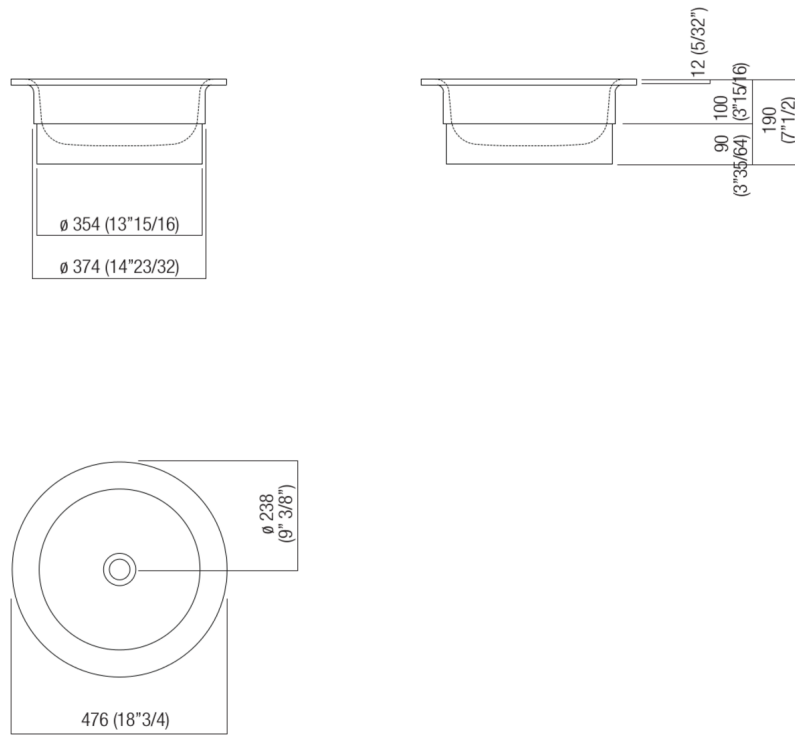


Semi-recessed circular washbasin in white Exmar, without tap hole and overflow. Designed for waste .MET0563 or .MET0418L with concealed waste trap .PLA0456.  
Materials used: Exmar.

Height:	10.0 cm	4" inches
Diameter:	48.0 cm	18" 7/8 inches
Weight:	10.0 kg	22 lbs
Packaging measurements:	58 x 58 x 29 cm	22"7/8 x 22"7/8 x 11"3/8 inches
Weight with packaging:	13.0 kg	29 lbs

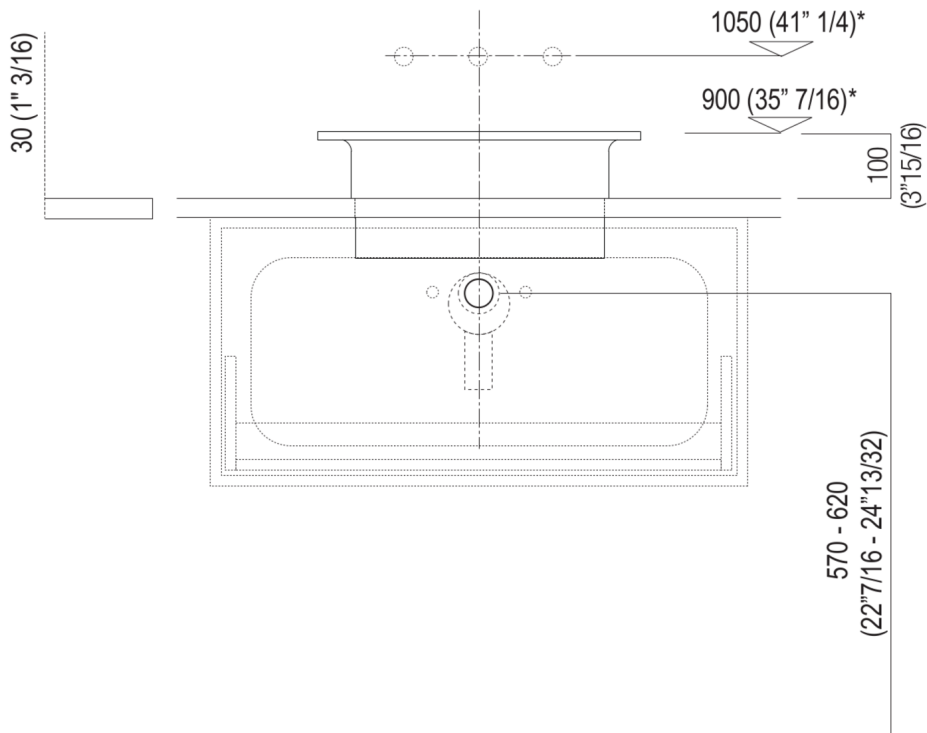


Main dimensions





Installation notes: countertop to be rested on cabinet with thickness cm 3 (1"3/16)

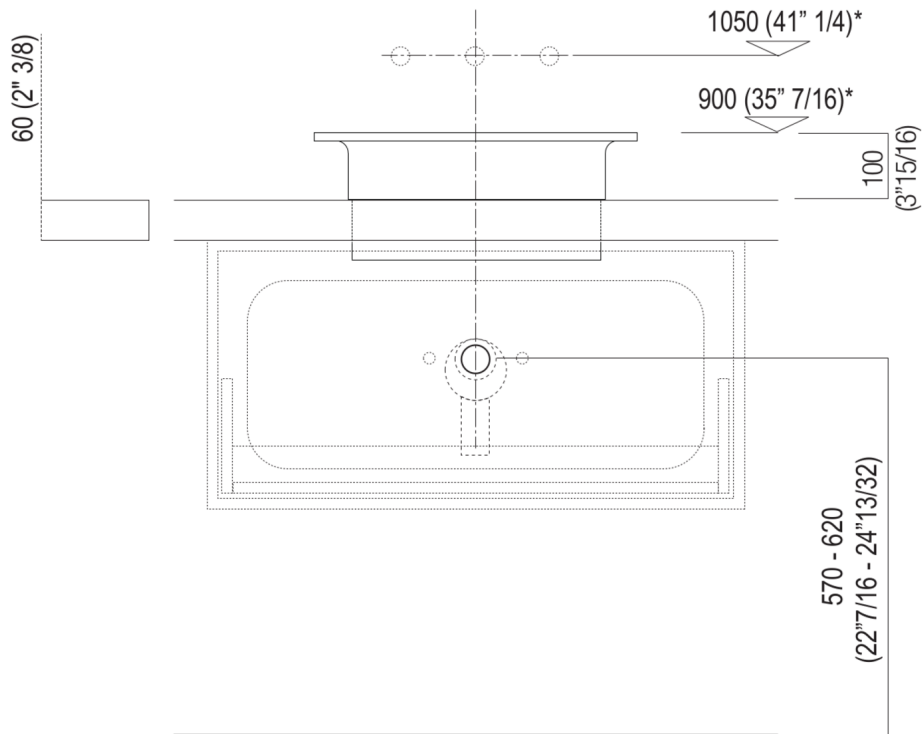


Scarico per sifone a bottiglia e ad incasso  
 Drain for bottle trap and concealed waste trap

\*h.consigliata / advised h.



Installation notes: countertop to be rested on cabinet with thickness cm 6 (2"3/8)

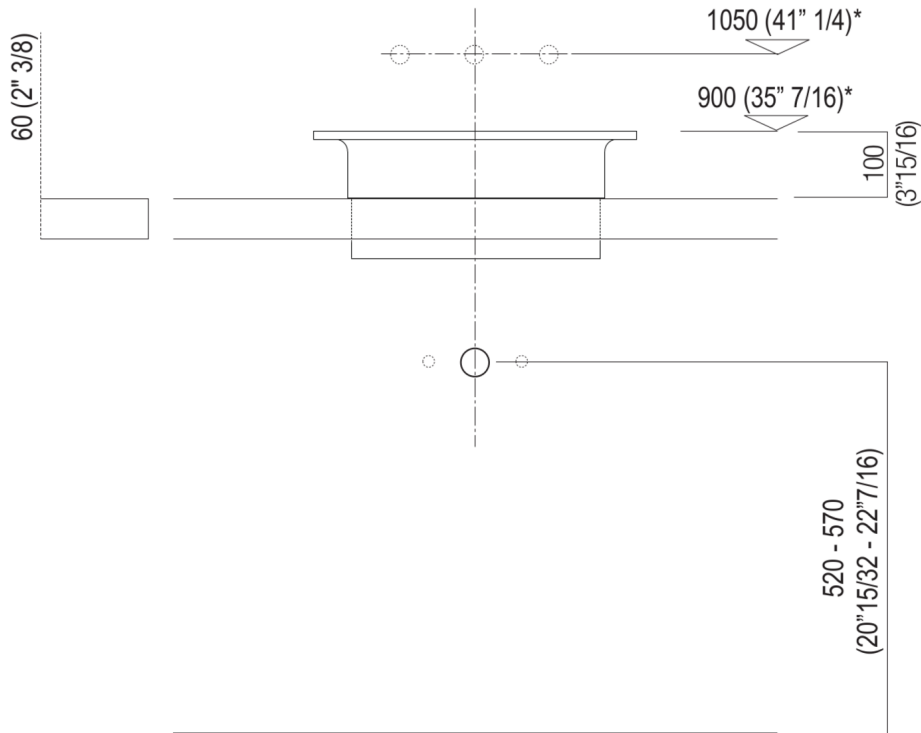


Scarico per sifone a bottiglia e ad incasso  
 Drain for bottle trap and concealed waste trap

\*h.consigliata / advised h.



Installation notes: countertop with concealed wall fixings/freestanding with thickness cm 6 (2"3/8)

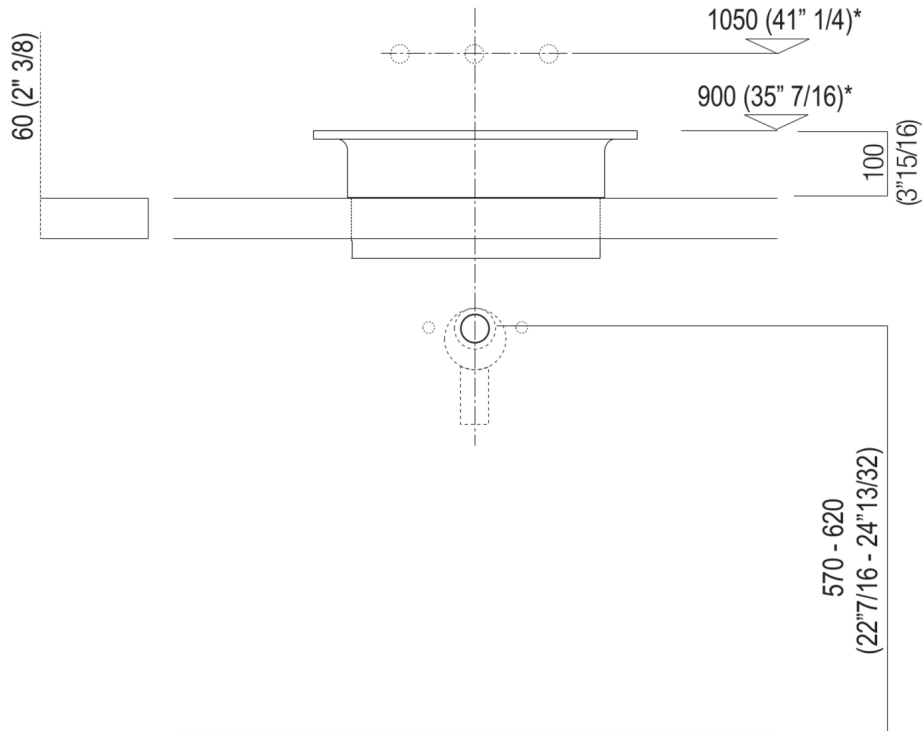


Scarico per sifone a bottiglia  
 Drain for bottle trap

\*h.consigliata / advised h.



Installation notes: countertop with concealed wall fixings/freestanding with thickness cm 6 (2"3/8)

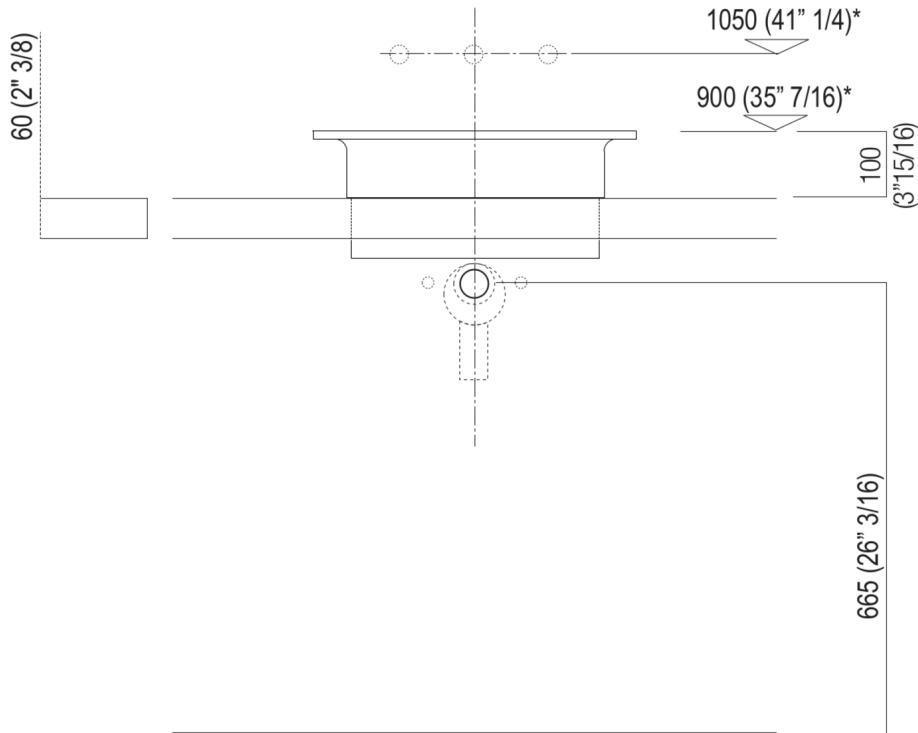


Scarico per sifone ad incasso  
Drain for concealed waste trap

\*h.consigliata / advised h.



Installation notes: countertop with concealed wall fixings/freestanding with thickness cm 6 (2"3/8)

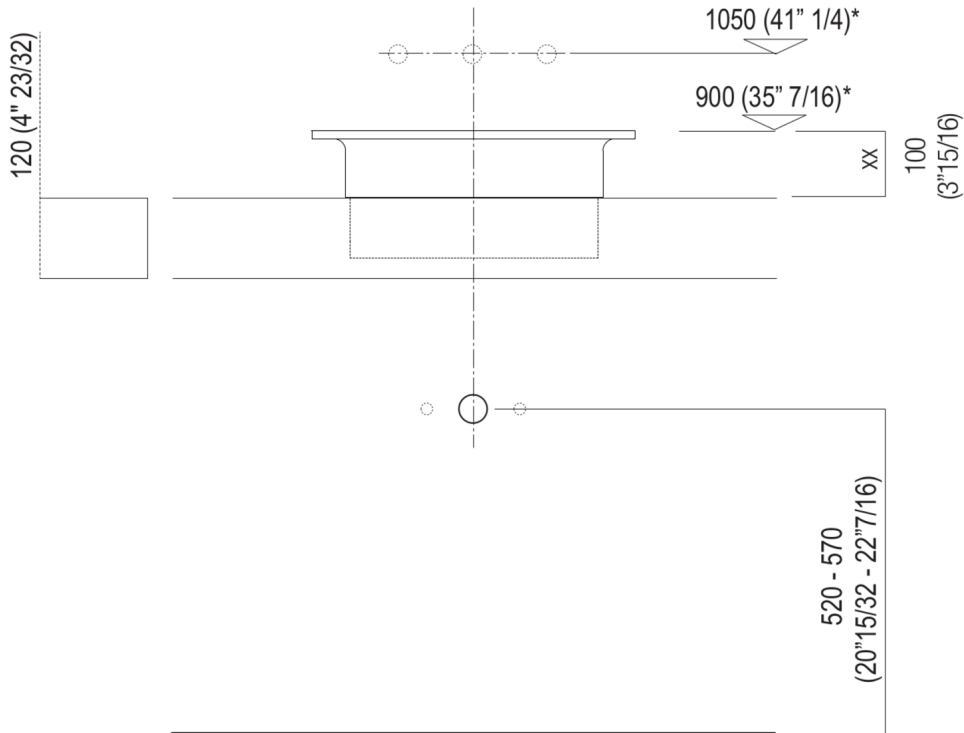


Scarico per sifone ad incasso e piletta con canotto fisso  
 Drain for concealed waste trap with not adjustable pipe

\*h.consigliata / advised h.



Installation notes: countertop with concealed wall fixings/freestanding with thickness cm 12 (4"23/32)



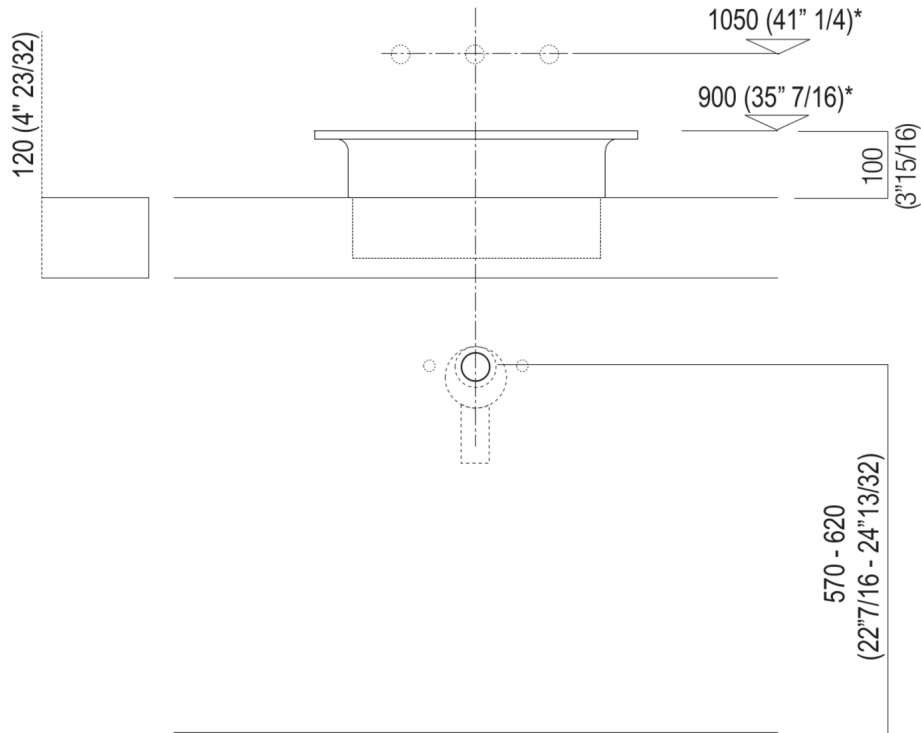
Scarico per sifone a bottiglia  
 Drain for bottle trap

\*h.consigliata / advised h.





Installation notes: countertop with concealed wall fixings/freestanding with thickness cm 12 (4"23/32)

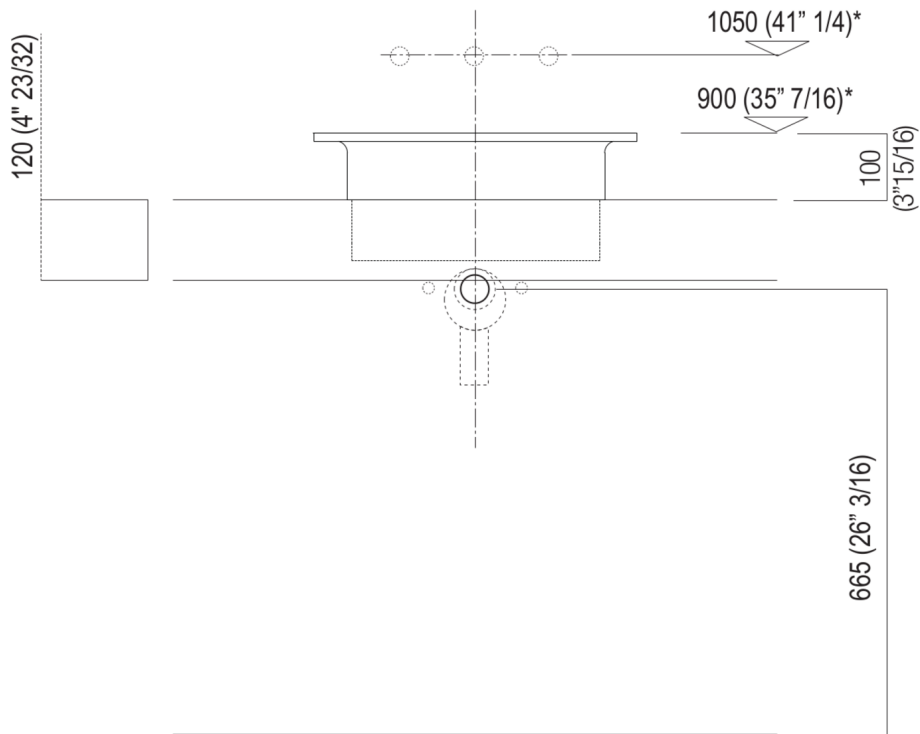


Scarico per sifone ad incasso  
 Drain for concealed waste trap

\*h.consigliata / advised h.



Installation notes: countertop with concealed wall fixings/freestanding with thickness cm 12 (4"23/32)

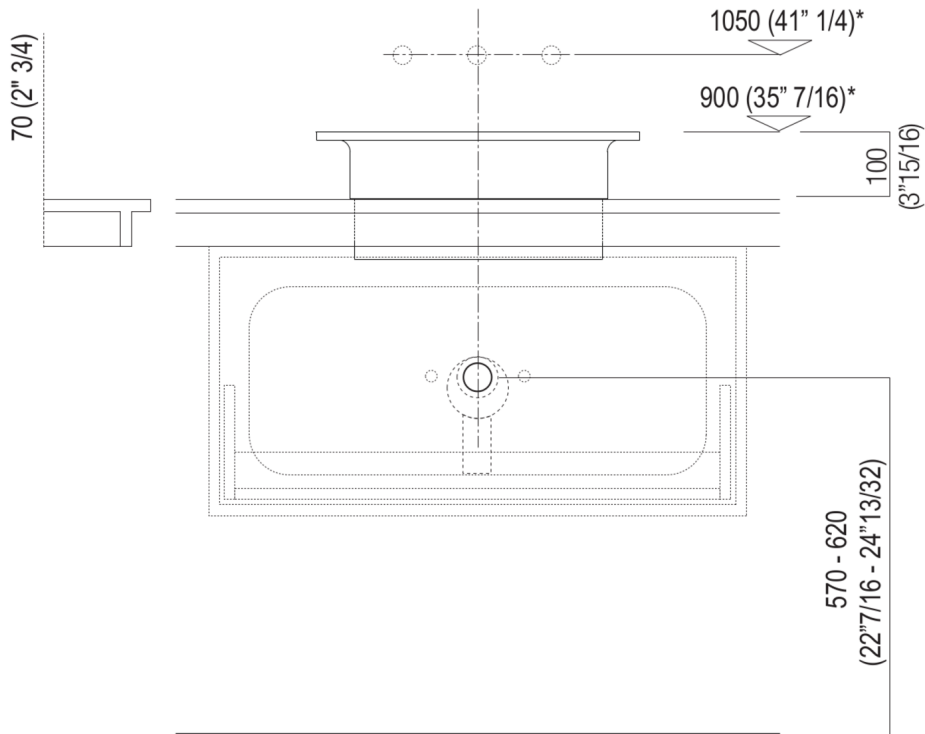


Scarico per sifone ad incasso e piletta con canotto fisso  
Drain for concealed waste trap with not adjustable pipe

\*h.consigliata / advised h.



Installation notes: countertop Evoluzione



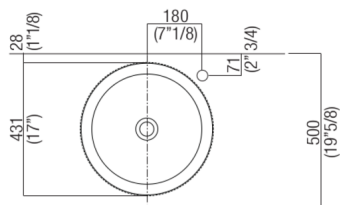
Scarico per sifone a bottiglia e ad incasso  
 Drain for bottle trap and concealed waste trap

\*h.consigliata / advised h.

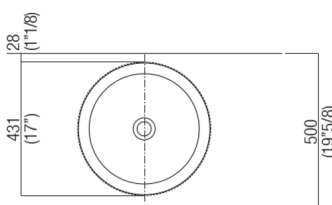
Holes for semi-recessed washbasins and top mounted taps for top

**PIANO cm 50 / COUNTERTOP cm 50**

Posizione standard per rubinetto su piano  
 Standard position for top mounted tap



Posizione standard per rubinetto a parete  
 Standard position for wall mounted tap



Posizione speciale per rubinetto Sen a parete e Square con bocca curva  
 Special position for wall mounted tap Sen and Square white curved spout

**NON NECESSARIA  
 NOT NECESSARY**



Tap position, recommended height

