

AXOR ShowerSolutions

Overhead shower 250/580 3jet

Surfaces: **Chrome** Article Number: **35283000**



Description

product features

- shower head size: 580 x 260 mm
- spray type: Rain, RainFlow, MonoRain
- flow rate Rain spray (at 0.3 MPa): 17 l/min
- flow rate Mono spray (at 0.3 MPa): 20 l/min
- flow rate RainFlow spray (at 0.3 MPa): 17 l/min
- fully chrome-plated spray disc
- material spray disc: metal
- spray disc removable for cleaning
- installation: wall-mounted - for installation on iBox
- connection dimension: DN15

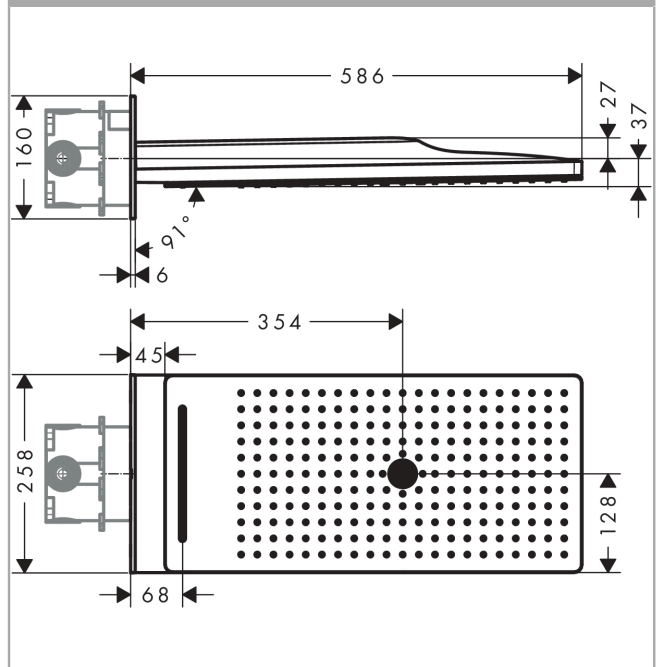
Technology



Product image



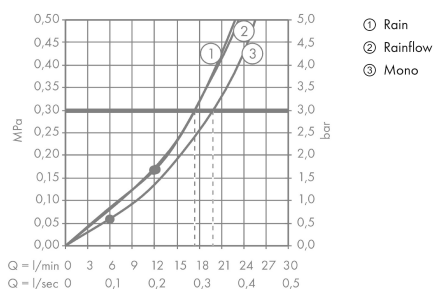
Scale drawing



AXOR ShowerSolutions
Overhead shower 250/580 3jet
 Surfaces: **Chrome** Article Number: **35283000**



Flowchart



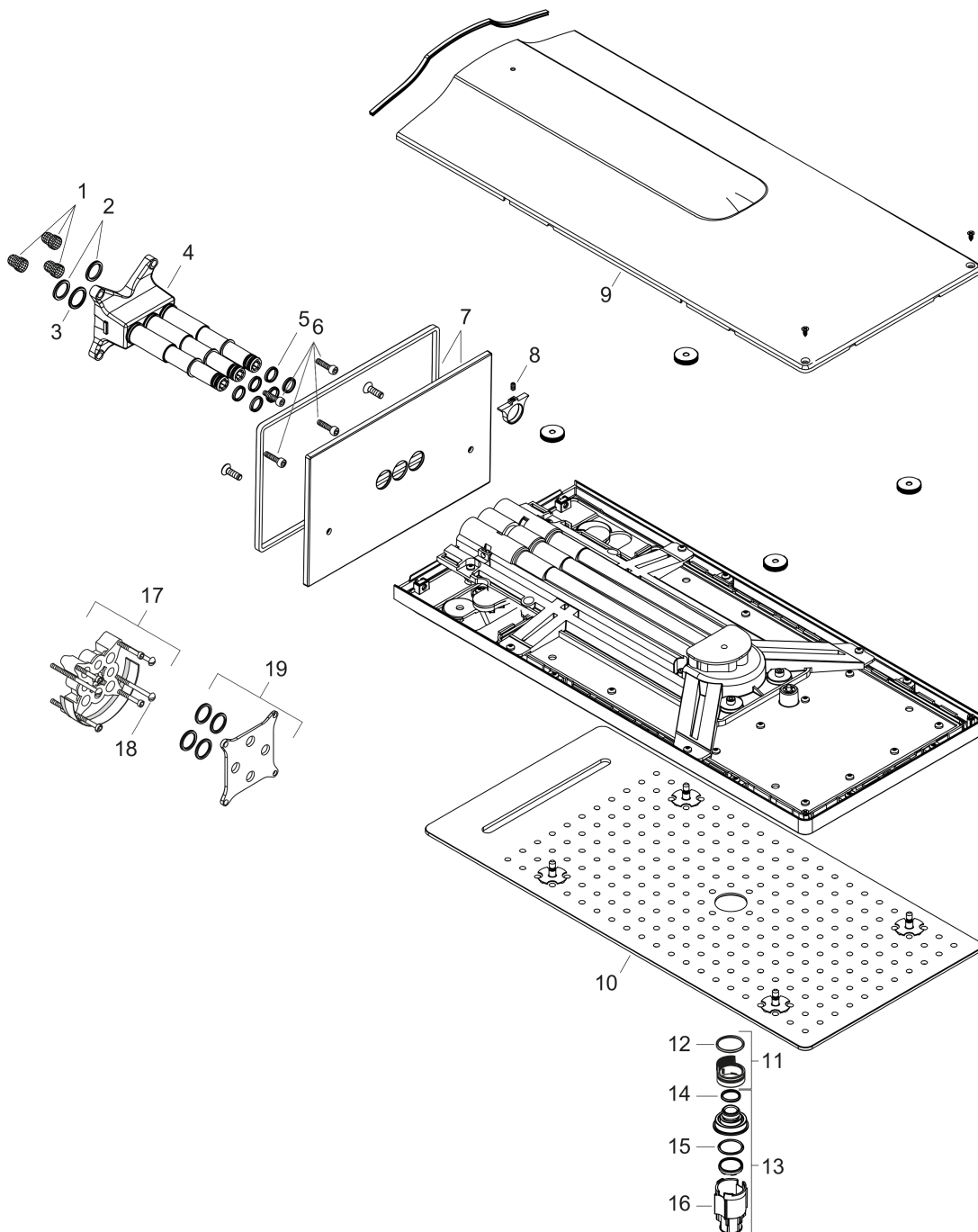
The consumption was measured in combination with the appropriate fittings (thermostat/mixer/in-wall valve) to reflect actual application in practice.

AXOR ShowerSolutions
Overhead shower 250/580 3jet
Surfaces: **Chrome** Article Number: **35283000**



Exploded Drawing

Year of production: >07/17



AXOR ShowerSolutions
Overhead shower 250/580 3jet
 Surfaces: **Chrome** Article Number: **35283000**



Spare part list

Year of production: >07/17

Pos.	Description	Article Number	PC	PU
1	filter	98513000	0	1
2	O-ring 16x2	98133000	0	1
3	O-ring 18x2	98181000	0	1
4	installation unit cpl.	95170000	0	1
5	O-ring 12x2	98214000	0	1
6	set of screws	96525000	0	1
7	escutcheon	92747000	0	1
8	hollow set screw M4x8	97669000	0	1
9	cover	92746000	0	1
10	spray body	93212000	0	1
11	filter	92683000	0	1
12	O-ring 24x2	98388000	0	1
13	aerator laminar	93211000	0	1
14	O-ring 15x2	98163000	0	1
15	O-ring 21x2	98205000	0	1
16	special tool	92686000	0	1
17	extension 25 mm	13595000	0	1
18	set of fixing screws	97747000	0	1
19	compensation set 1°	95521000	0	1