

**AXOR ShowerSolutions**  
**Overhead shower 460/300 3jet with ceiling connection**  
 Surfaces: **Chrome** Article Number: **35281000**

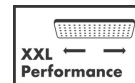


## Description

### product features

- shower head size: 460 x 300 mm
- spray type: Rain, RainStream, MonoRain
- flow rate Rain spray (at 0.3 MPa): 17 l/min
- flow rate RainStream spray (at 0.3 MPa): 22 l/min
- flow rate Mono spray (at 0.3 MPa): 23 l/min
- fully chrome-plated spray disc
- material spray disc: metal
- spray disc removable for cleaning
- overhead shower for cleaning removable
- brass ceiling connector
- ceiling connection length: 100 mm
- installation: ceiling
- connection dimension: DN15

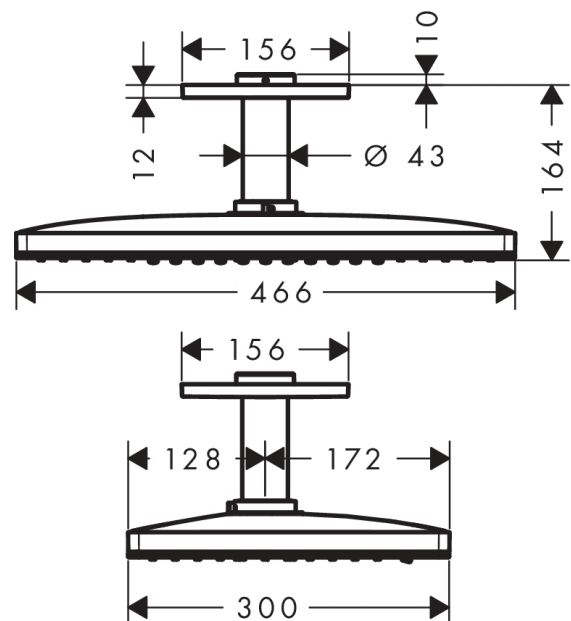
## Technology



## Product image



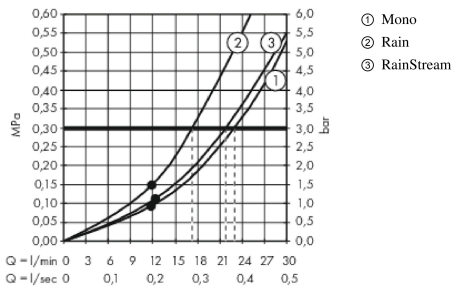
## Scale drawing



**AXOR ShowerSolutions**  
**Overhead shower 460/300 3jet with ceiling connection**  
 Surfaces: **Chrome** Article Number: **35281000**



## Flowchart



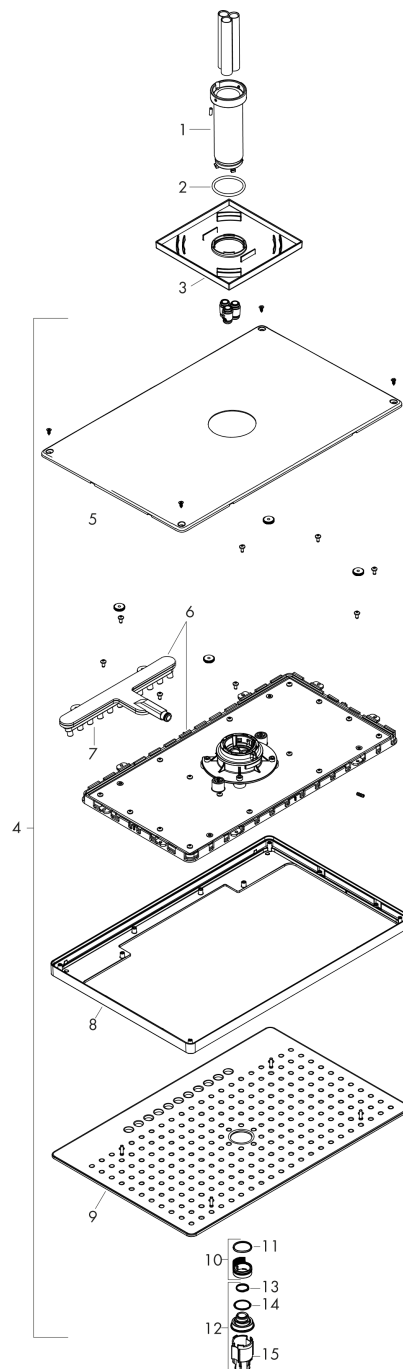
The consumption was measured in combination with the appropriate fittings (thermostat/mixer/in-wall valve) to reflect actual application in practice.

**AXOR ShowerSolutions**  
**Overhead shower 460/300 3jet with ceiling connection**  
Surfaces: **Chrome** Article Number: **35281000**



## Exploded Drawing

Year of production: >07/17



**AXOR ShowerSolutions**  
**Overhead shower 460/300 3jet with ceiling connection**  
 Surfaces: **Chrome** Article Number: **35281000**



## Spare part list

Year of production: >07/17

Pos.	Description	Article Number	PC	PU
1	sleeve	92709000	0	1
2	O-ring 42x3,5	92708000	0	1
3	escutcheon 155 / 155 mm	92710000	0	1
4	head shower	93209000	0	1
5	cover	93393000	0	1
6	cartridge, assy	93389000	0	1
7	spray insert	92923000	0	1
8	frame	93391000	0	1
9	spray body	93210000	0	1
10	filter	92683000	0	1
11	O-ring 24x2	98388000	0	1
12	aerator laminar	93211000	0	1
13	O-ring 15x2	98163000	0	1
14	O-ring 21x2	98205000	0	1
15	special tool	92686000	0	1
a	base body	26434180	0	1
b	extension set	35288000	0	1