

AXOR ShowerSolutions

Overhead shower 460/300 2jet with shower arm and square escutcheon

Surfaces: **Chrome** Article Number: **35280000**



Description

product features

- shower head size: 460 x 300 mm
- shower arm length: 460 mm
- spray type: Rain, RainStream
- flow rate Rain spray (at 0.3 MPa): 18 l/min
- flow rate RainStream spray (at 0.3 MPa): 15 l/min
- fully chrome-plated spray disc
- material spray disc: metal
- spray disc removable for cleaning
- overhead shower for cleaning removable
- installation: wall-mounted - for installation on iBox
- connection dimension: DN15

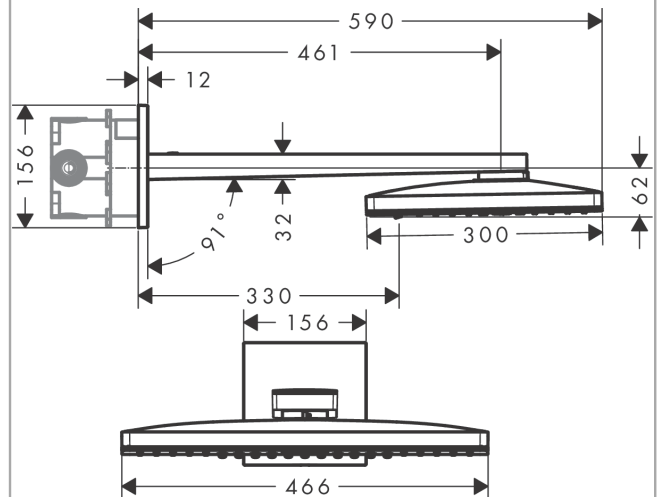
Technology



Product image



Scale drawing



AXOR ShowerSolutions

Overhead shower 460/300 2jet with shower arm and square escutcheon

Surfaces: **Chrome** Article Number: **35280000**



Flowchart



- ① Rain
- ② RainStream

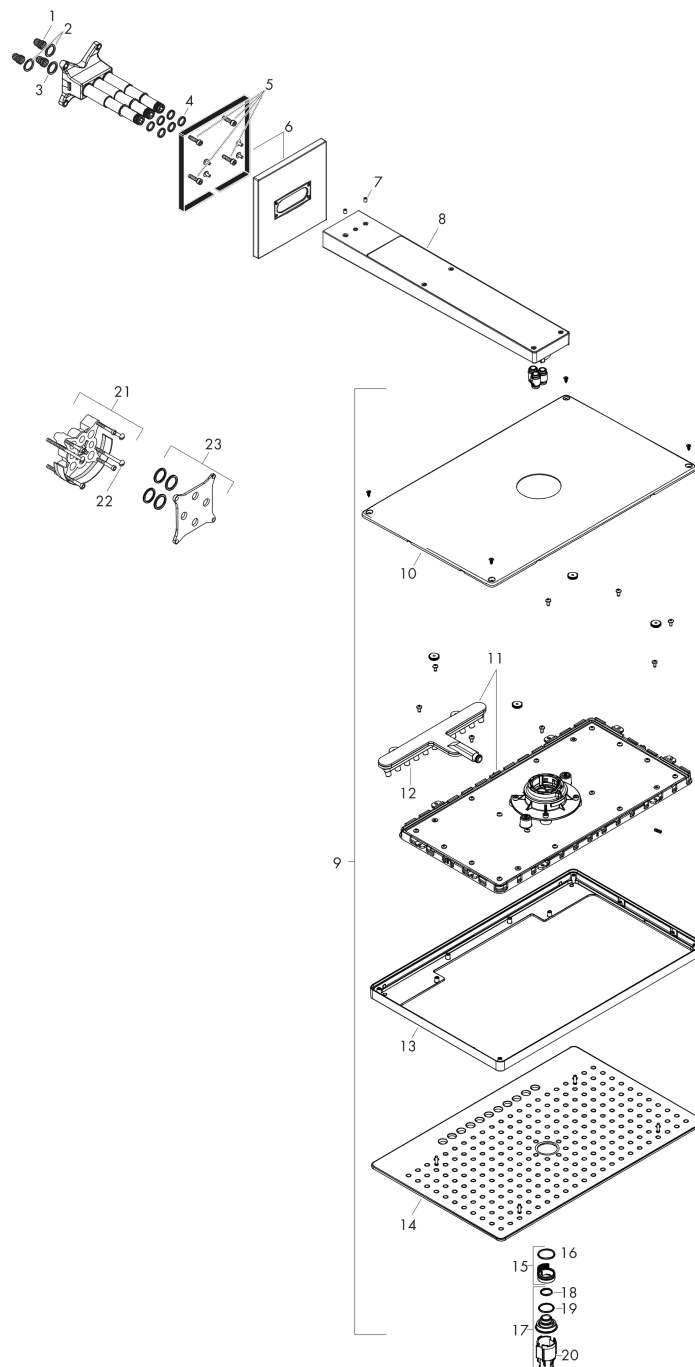
The consumption was measured in combination with the appropriate fittings (thermosta/mixer/
in-wall valve) to reflect actual application in practice.

AXOR ShowerSolutions
Overhead shower 460/300 2jet with shower arm and square escutcheon
 Surfaces: **Chrome** Article Number: **35280000**



Exploded Drawing

Year of production: >07/17



AXOR ShowerSolutions

Overhead shower 460/300 2jet with shower arm and square escutcheon

Surfaces: **Chrome** Article Number: **35280000**



Spare part list

Year of production: >07/17

Pos.	Description	Article Number	PC	PU
1	filter	98513000	0	1
2	O-ring 16x2	98133000	0	1
3	O-ring 18x2	98181000	0	1
4	O-ring 12x2	98214000	0	1
5	set of screws	96525000	0	1
6	escutcheon 155 / 155 mm	92700000	0	1
7	hollow set screw M5x8	92851000	0	1
8	shower arm	92701000	0	1
9	head shower	93208000	0	1
10	cover	93393000	0	1
11	cartridge, assy	93389000	0	1
12	spray insert	92923000	0	1
13	frame	93391000	0	1
14	spray body	93210000	0	1
15	filter	92683000	0	1
16	O-ring 24x2	98388000	0	1
17	spray insert	93207000	0	1
18	O-ring 15x2	98163000	0	1
19	O-ring 21x2	98205000	0	1
20	special tool	92686000	0	1
21	extension 25 mm	13595000	0	1
22	set of fixing screws	97747000	0	1
23	compensation set 1°	95521000	0	1