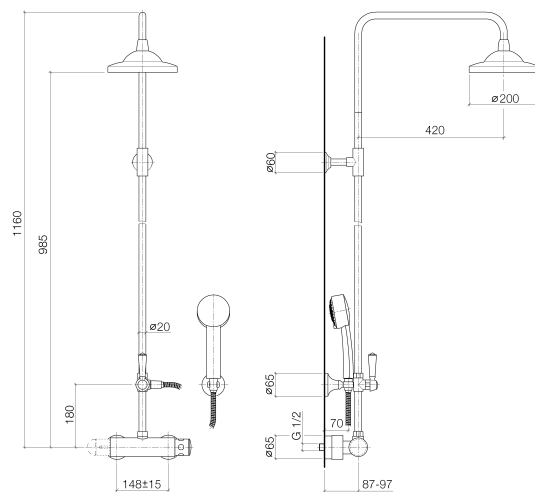




Product specifications

- **shower with fixed riser projection 420 mm**
- regulator and stop valve with 1/2" ceramic discs
- shower with fixed riser/hand shower diverter
- hand shower with three settings with anti-scale system
- 200 mm diameter rain shower with anti-scale system
- outlet G 1/2"
- Two-part push-on rosette \varnothing 65 mm
- Wall mounting rosette \varnothing 60 mm
- rosette wall bracket \varnothing 65 mm
- 1250 mm shower hose with turning cone at both ends
- without temperature control handle
- concealed 1/2" x 3/4" S connectors (noise reduced)
- height of fittings up to top edge of elbow 1160 mm
- height of fittings up to rain shower (bottom edge) 975 mm





- gauge 148 mm
- wall attachment: height adjustable, distance can be adjusted
- Max. rainshower flow 9 l/min
- Max. hand shower flow 9 l/min

Intrinsic protection against back flow.

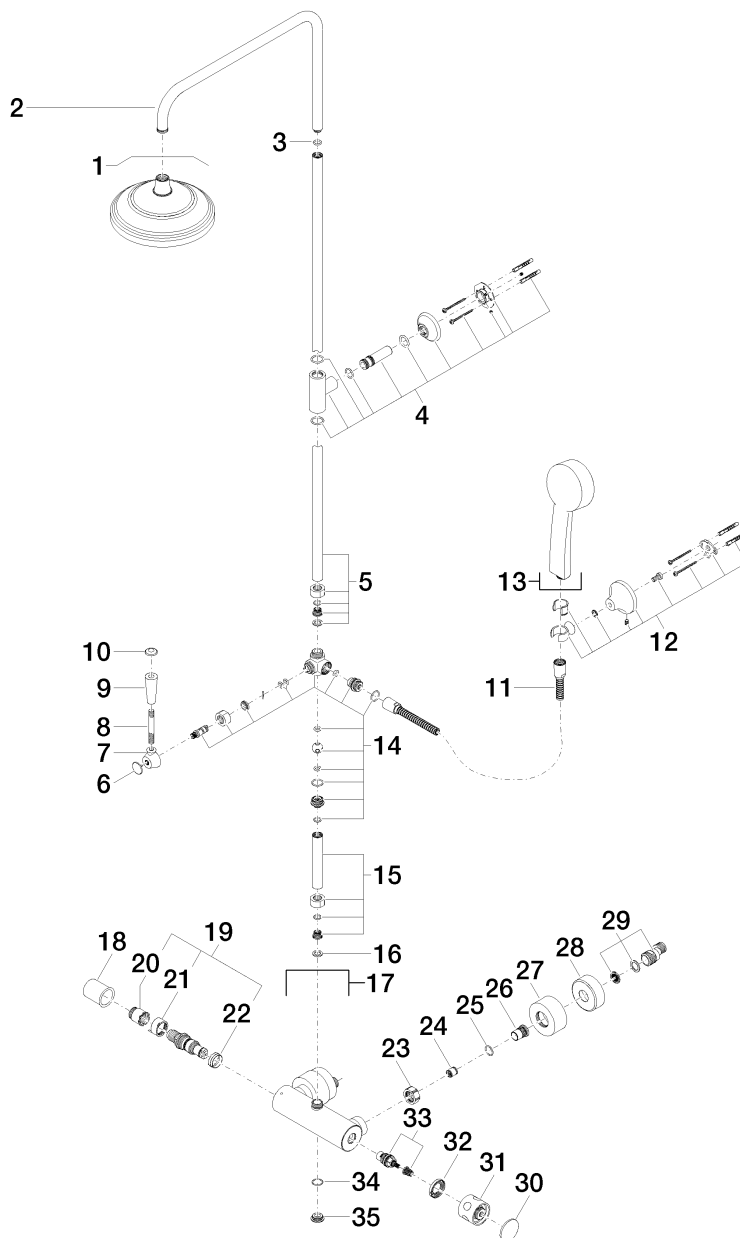
Slide bar for stand pipe 12 560 970-FF available separately.

Extension pieces available separately, see page 12110970

Surfaces

- chrome 34455970-00
- platinum matt 34455970-06
- platinum 34455970-08
- Durabrass 34455970-09

Exploded assembly drawing



Order quantity

No.	Article number	Name	Installation quantity
1	28535977ff	shower	1
2	04282210100ff	spout	1
3	09141001190	seal	1
4	90171103701ff	holder	1
5	90282210400ff	pipe	1
6	093030064ff	screw	1
7	091820011ff	base	1
8	09282201390	pipe	1
9	11170370ff	handle	1
10	093030062ff	screw	1
11	28104970ff	hose	1
12	28050410ff	holder	1
13	28002978ff	shower	1
14	90170904501ff	diverter	1
15	90282210300ff	pipe	1
16	09142000290	seal	1
17	04170104401ff	casing (completely)	1
18	09210200890	cap	1
19	0415020520090	cartridge	1
20	09304000290	regulator	1
21	09304000390	ring	1
22	09304000890	ring	1
23	092330034-07	nut	2
24	09230104090	back-flow preventer	2
25	09141001090	seal	2
26	09290501690	nipple	2
27	092789017ff	rosette	2
28	092789007ff	rosette	2
29	0411040310090	connection	1



30	092097015ff	handle	1
31	092099003ff	handle	1
32	09160100690	ring	1
33	9090031310090	top	1
34	09141003290	seal	1
35	093120014ff	plug	1

Flow rate chart

