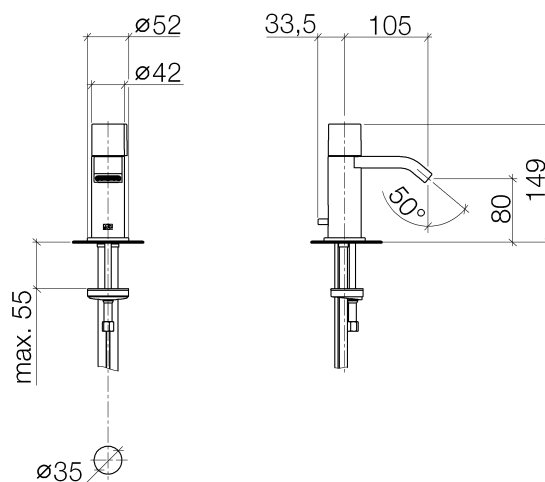




Product specifications

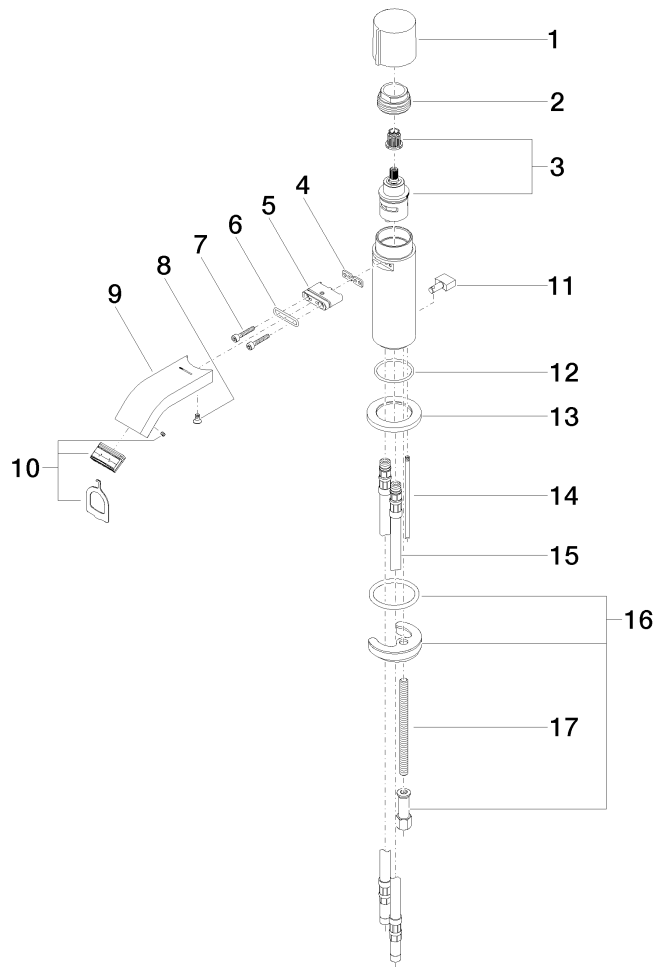
- **105 mm projection**
- with aerator
- height of mixer 150 mm
- height up to aerator 80 mm
- hole diameter 35 mm
- progressive cartridge with ceramic discs
- 2x M 10 x 1 screw-in high pressure hose
- **1 1/4" pop-up waste**
- Max. flow 7 l/min
- lead-free
- Rosette optional



Surfaces

- chrome 33507670-00
- platinum matt 33507670-06

Exploded assembly drawing



18 ——— Ablaufgarnitur 04.11.01.001.001

Order quantity

No.	Article number	Name	Installation quantity
1	092067001ff	handle	1
2	092310065ff	nut	1
3	9090031620090	top	1
4	09140313190	seal	1
5	09110306190	connection	1
6	09141005390	seal	1
7	09303018290	screw	2
8	09303011690	screw	1
9	092822238ff	spout	1
10	9029030450090	aerator	1
11	092067002ff	handle	1
12	09141010490	seal	1
13	092767003ff	rosette	1
14	093109080ff	pull-rod	1
15	0430040160090	hose	2
16	0430110850190	fixing set	1
17	09311101290	pin	1
18	04110100100ff	pop-up waste	1

Flow rate chart

