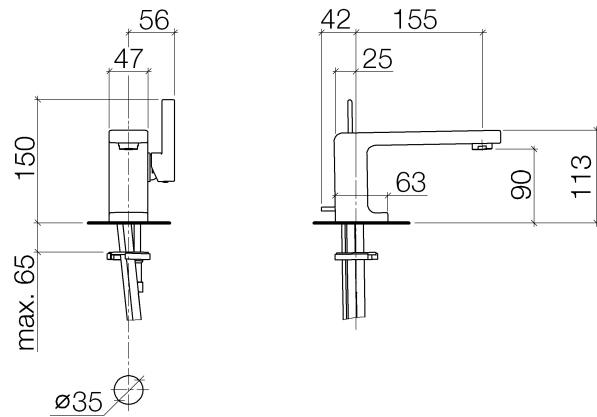




Product specifications

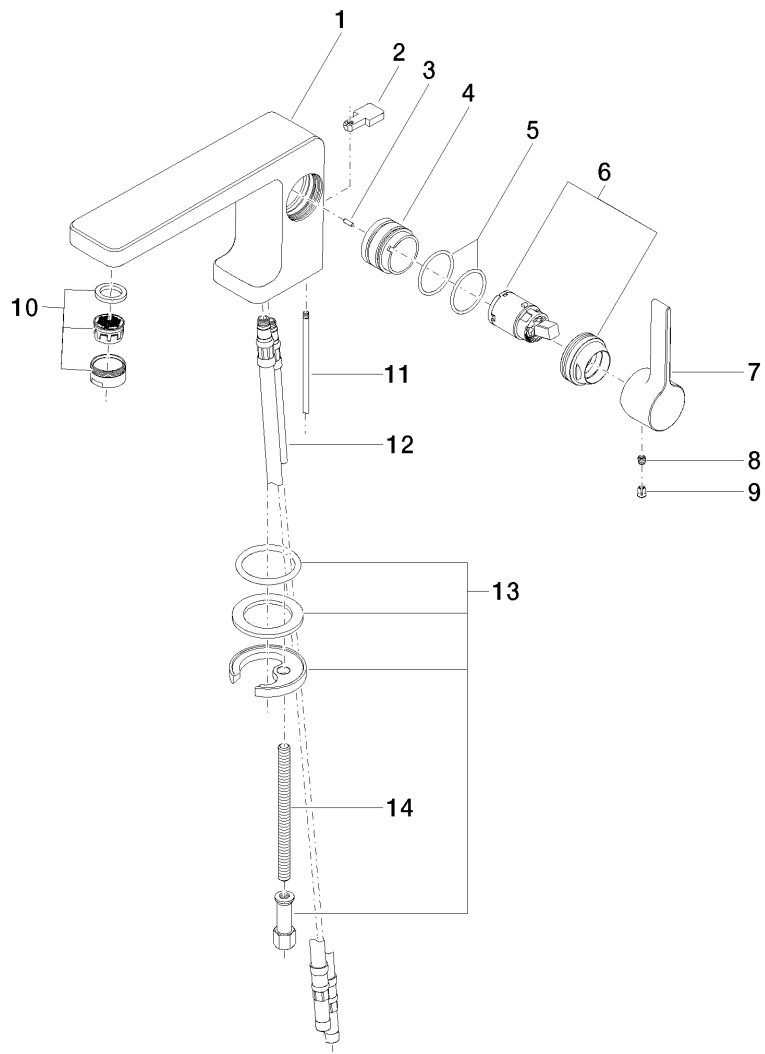
- **155 mm projection**
- M 24 x 1 aerator – male thread
- height of mixer 115 mm
- height up to aerator 90 mm
- cartridge with ceramic discs
- 2x M 8 x 1 screw-in high pressure hose
- **1 1/4" pop-up waste**
- Max. flow 7 l/min
- lead-free



Surfaces

- chrome 33500710-00
- platinum matt 33500710-06

Exploded assembly drawing



15 — Ablaufgarnitur 04.11.01.001.00-ff

Order quantity

| No. | Article number | Name | Installation quantity |
|------------|-----------------------|--------------|------------------------------|
| 1 | 09197102010ff | casing | 1 |
| 2 | 092071030ff | handle | 1 |
| 3 | 09311111190 | pin | 1 |
| 4 | 0918400951090 | sleeve | 1 |
| 5 | 09141013790 | seal | 2 |
| 6 | 90150504100ff | cartridge | 1 |
| 7 | 092071040ff | handle | 1 |
| 8 | 09311103090 | pin | 1 |
| 9 | 09312001790 | plug | 1 |
| 10 | 90230111801ff | aerator | 1 |
| 11 | 093109080ff | pull-rod | 1 |
| 12 | 0430040180090 | hose | 2 |
| 13 | 0430110387590 | fixing set | 1 |
| 14 | 09311101290 | pin | 1 |
| 15 | 04110100100ff | pop-up waste | 1 |

Flow rate chart

