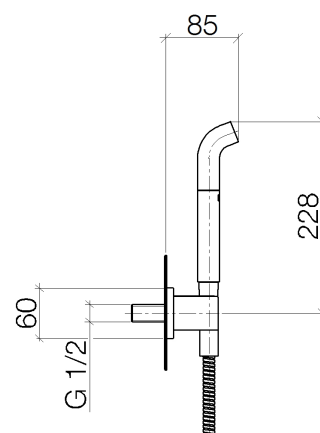
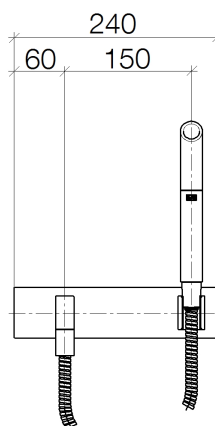




Product specifications

- wall bracket
 - 3/8" shower outlet
 - 3/8" x 1/2" x 1250 mm shower hose with turning cone
 - cover plate 240 x 60 mm
 - Max. flow 9.5 l/min
 - 1/2" wall elbow with back flow preventer
- Intrinsic protection against back flow



Surfaces

- | | |
|-----------------|-------------|
| • chrome | 27838979-00 |
| • platinum matt | 27838979-06 |
| • platinum | 27838979-08 |
| • Cyprum | 27838979-49 |

Order quantity

No.	Article number	Name	Installation quantity
1	04121107301ff	spout	1
2	093002072ff	hose	1
3	09160101490	ring	1
4	09230106990	flow reducer	1
5	9024032120090	nipple	1
6	09141000890	seal	1
7	09311102690	pin	1
8	09140312790	seal	1
9	091103026ff	connection	1
10	09311100490	pin	1
11	09141007790	seal	1
12	09240310790	nipple	1
13	092102069ff	cover	1
14	09142002690	seal	1
15	09311111290	pin	1
16	091720035ff	holder	1
17	09184007890	sleeve	1
18	0530310250090	fixing set	1
19	091102133ff	plate	1
20	09240307390	nipple	1

Flow rate chart

