

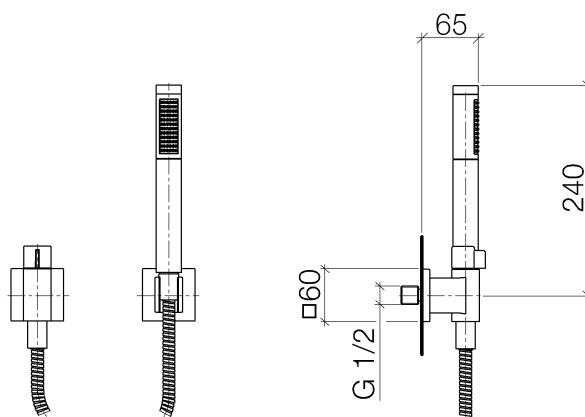


Product specifications

- Shower holder
- regulator and stop valve with 1/2" ceramic discs
- 3/8" shower outlet
- bar-type hand shower with anti-scale system and back flow preventer
- height of mixer 240 mm
- 3/8" x 1/2" x 1250 mm shower hose with turning cone
- rosette 60 x 60 mm
- 1/2" wall elbow with back flow preventer
- Max. flow 7.6 l/min

Intrinsic protection against back flow.

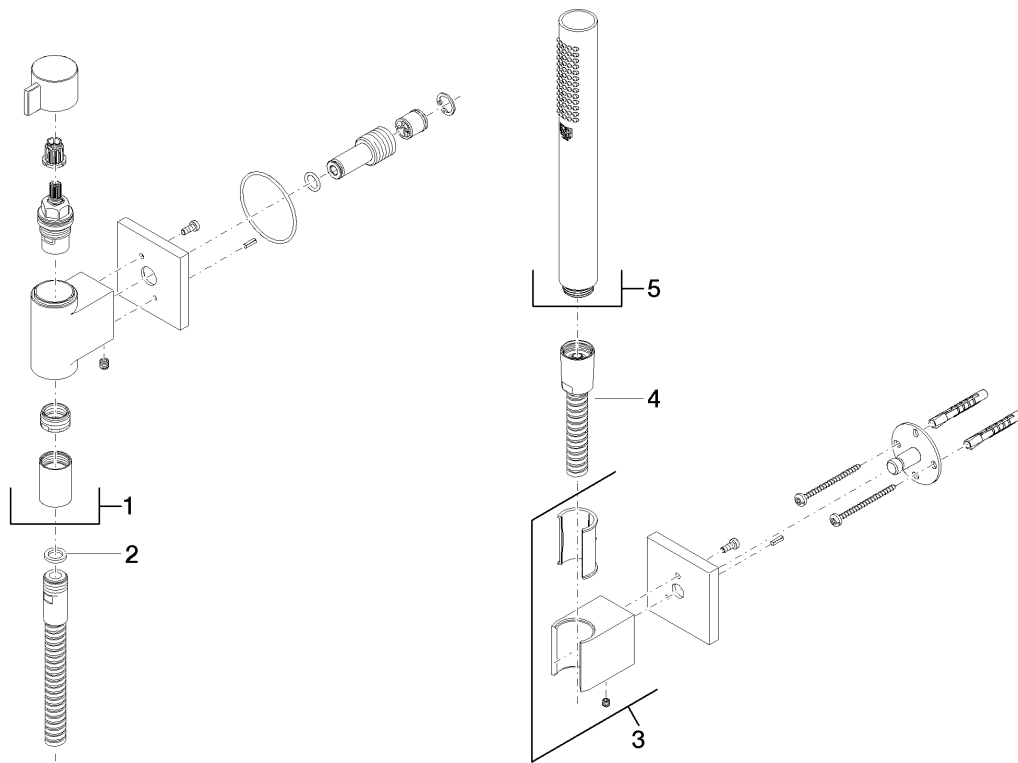
Combined water supply only available in combination with xTOOL thermostat module.



Surfaces

- chrome 27809985-00
- platinum matt 27809985-06

Exploded assembly drawing





Order quantity

No.	Article number	Name	Installation quantity
1	28451985ff	connection	1
2	09142002690	seal	1
3	28050980ff	holder	1
4	093002072ff	hose	1
5	28013979ff	shower	1

Flow rate chart

