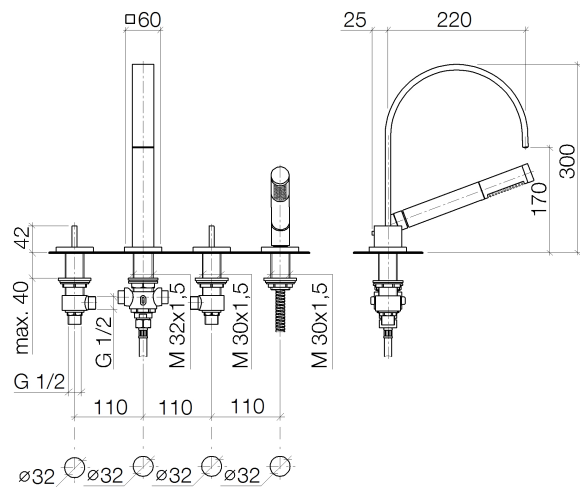




Product specifications

- **220 mm projection**
- fixed spout
- unrestricted flow
- back flow preventer in shower outlet
- automatic bath/shower diverter
- 1/2" deck valves with ceramic head parts
- bar-type hand shower with anti-scale system and back flow preventer
- metal shower hose 2250 mm, chrome-plated, consisting of 1 pc. high pressure hose 500 mm and 1 pc. metal hose 1750 mm with turning cone
- compression joint
- individual rosette 60 x 60 mm
- height of mixer 300 mm
- height up to aerator 170 mm
- hole diameter deck valve/hand shower diverter 32 mm
- hole diameter spout 32 mm
- 20° bend
- 2x 1/2" x 1/2" x 400 mm high pressure hose





- guide for shower hose
- Max. hand shower flow 7.6 l/min

Two-piece design allows hose to later be changed without dismantling the fitting.

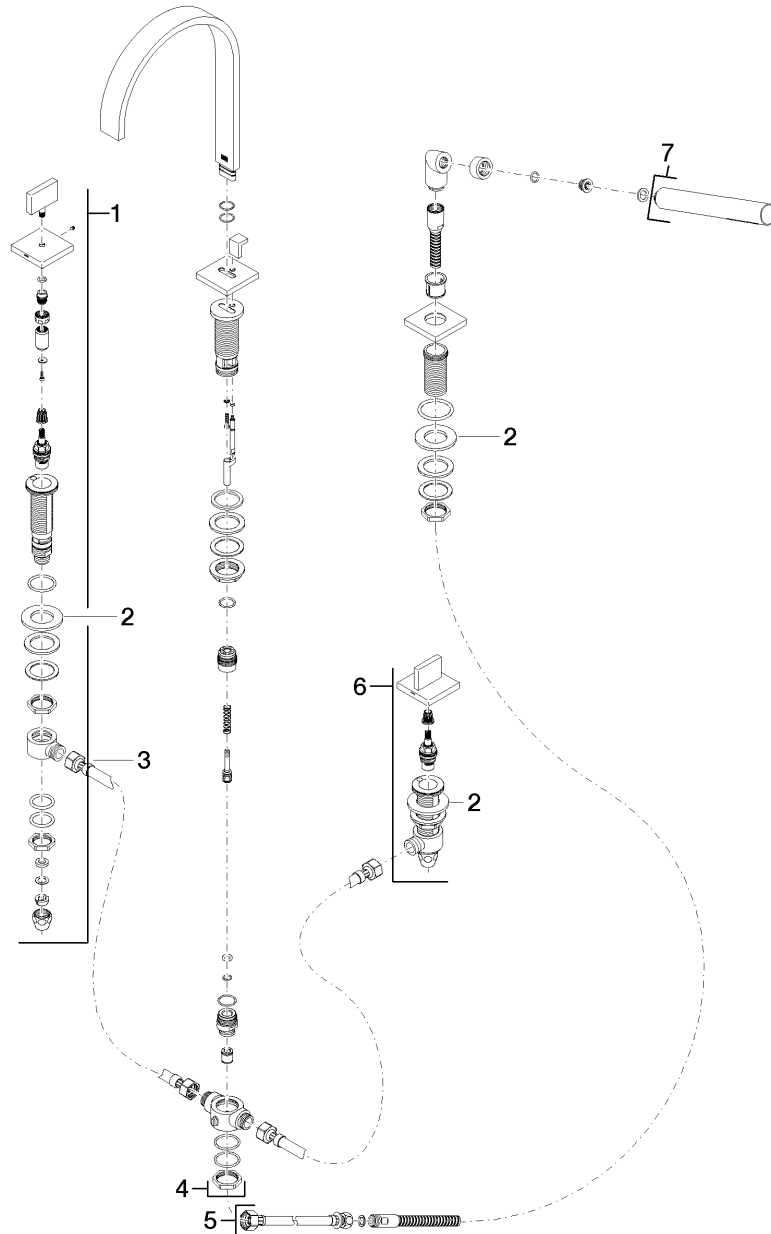
The Perfecto installation kit is recommended for optimum mounting.

Intrinsic protection against back flow.

Surfaces

- | | |
|-----------------|-------------|
| • chrome | 27532782-00 |
| • platinum matt | 27532782-06 |
| • platinum | 27532782-08 |
| • Cyprum | 27532782-49 |

Exploded assembly drawing



**Order quantity**

| No. | Article number | Name | Installation quantity |
|------------|-----------------------|-------------|------------------------------|
| 1 | 20000783ff | side panel | 1 |
| 2 | 09301109990 | disc | 3 |
| 3 | 1250297090 | hose | 2 |
| 4 | 13512782ff | spout | 1 |
| 5 | 27702980ff | shower set | 1 |
| 6 | 20000782ff | side panel | 1 |
| 7 | 28013979ff | shower | 1 |

Flow rate chart

