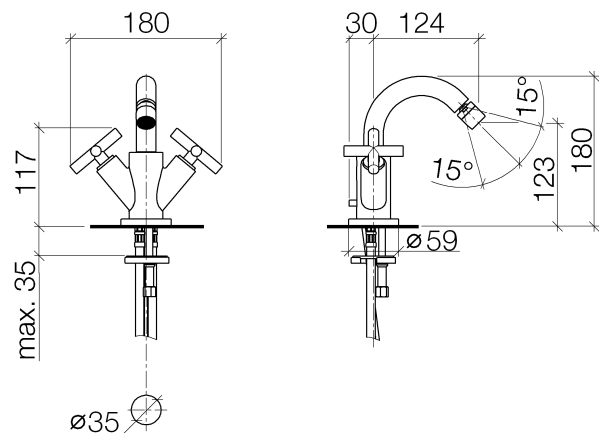




Product specifications

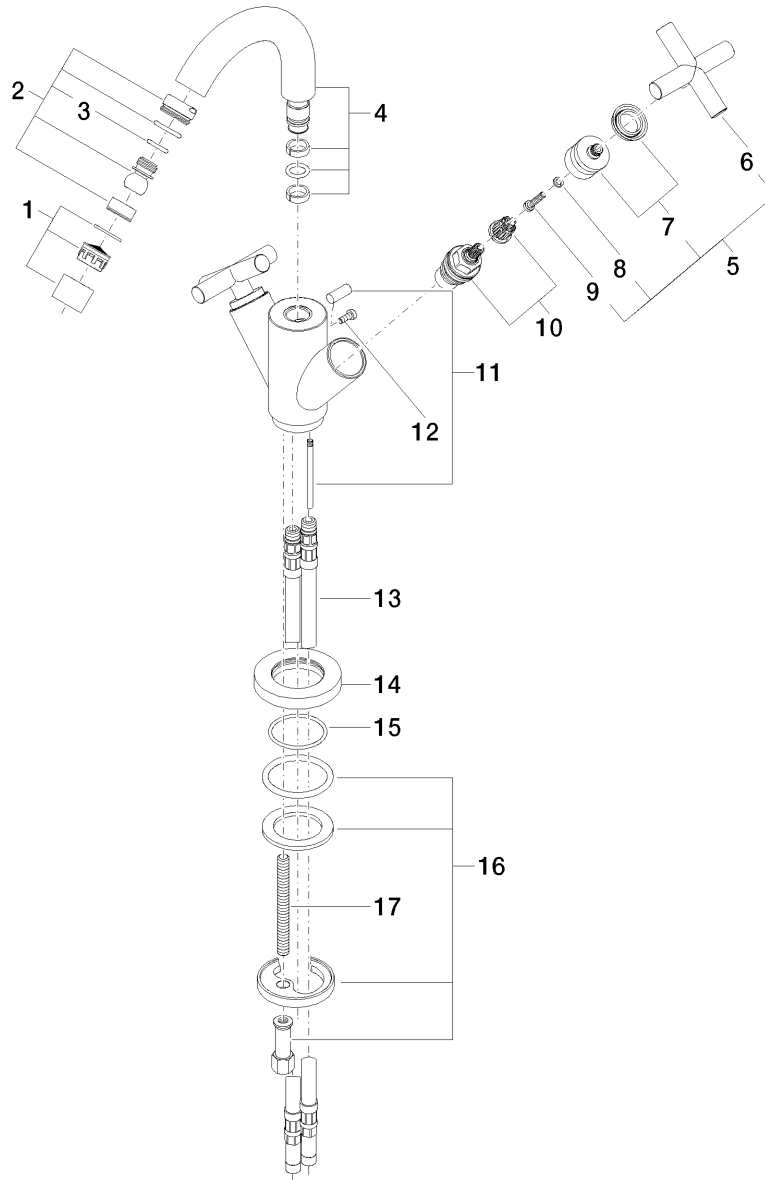
- **125 mm projection**
- 2x M 10 x 1 screw-in high pressure hose
- height of mixer 180 mm
- height up to aerator 123 mm
- **1 1/4" pop-up waste**
- rosette \varnothing 59 mm
- Max. flow 7 l/min
- Aerator M 22 x 1 - female thread with ball joint M 14 x 1, 15° pivot
- Aerator M 22 x 1 - female thread with ball joint M 14 x 1, 15° pivot



Surfaces

- | | |
|-----------------|-------------|
| • chrome | 24510892-00 |
| • platinum matt | 24510892-06 |
| • platinum | 24510892-08 |
| • matt white | 24510892-10 |
| • matt black | 24510892-33 |

Exploded assembly drawing



18 — Ablaufgarnitur 04.11.01.001.00-ff

Order quantity

No.	Article number	Name	Installation quantity
1	90230100405ff	aerator	1
2	04214000700ff	joint	1
3	09141001190	seal	1
4	90282221600ff	spout	1
5	04208901000ff	handle	2
6	092089010ff	handle	2
7	90121200700ff	base	2
8	09301102990	disc	2
9	09303007590	screw	2
10	9090031510090	top	2
11	04208903580ff	pull-rod	1
12	09303005490	screw	1
13	0430040160090	hose	2
14	092810132ff	ring	1
15	09141013490	seal	1
16	0430110380090	fixing set	1
17	09311101190	pin	1
18	04110100100ff	pop-up waste	1

Flow rate chart

