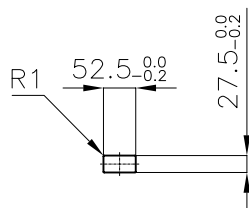
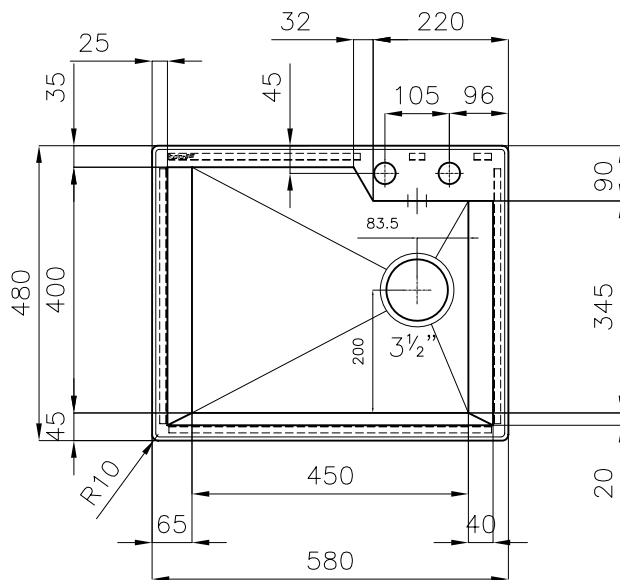
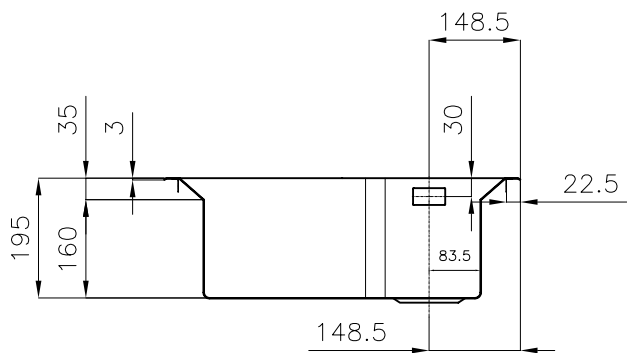


GK.58.1V.SF



cod. 1403 100



www.fosterspa.com