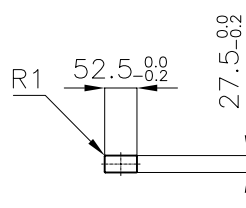
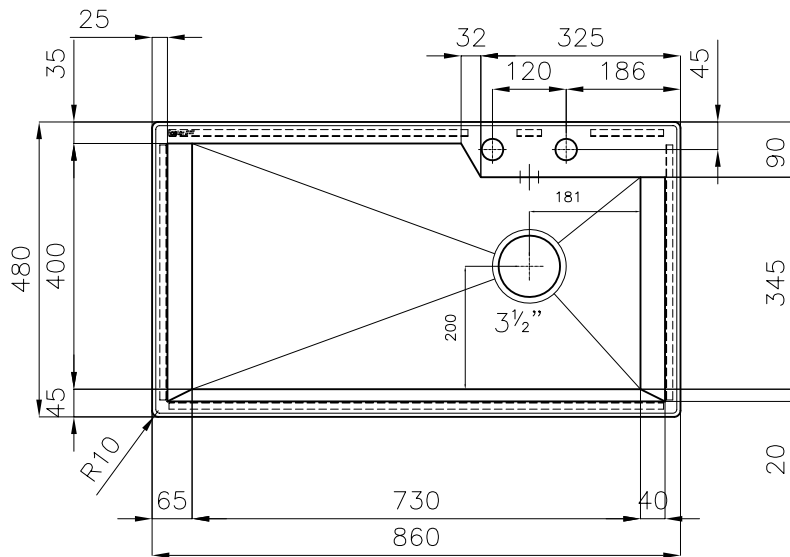
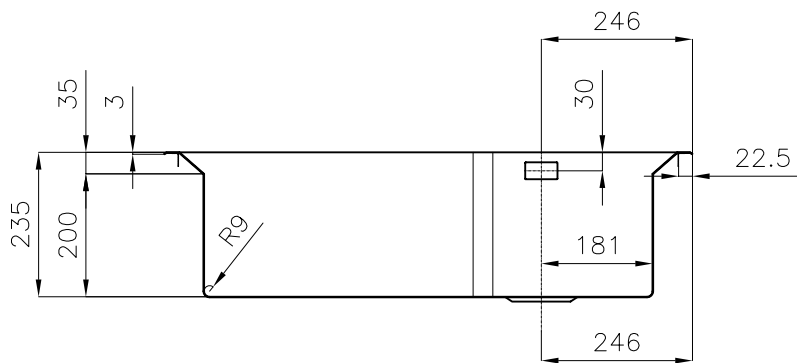


GK.86.1V.h235.SF



cod. 1402 100



www.fosterspa.com