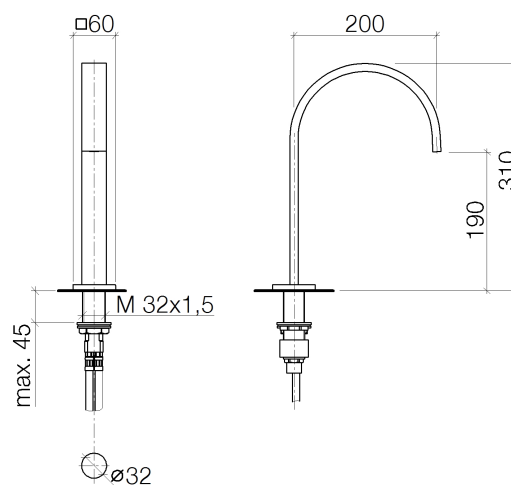




Product specifications

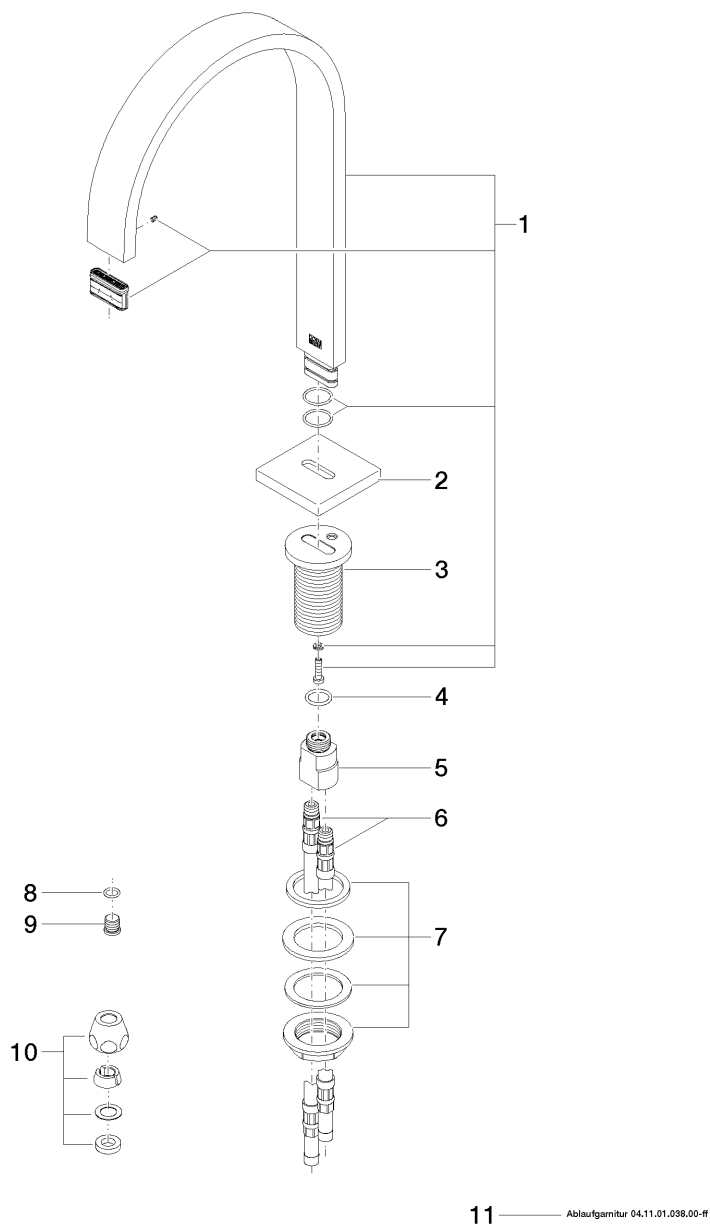
- **200 mm projection**
- fixed spout
- Aerator 32 x 8
- height of mixer 320 mm
- height up to aerator 195 mm
- 2x M 10 x 1 screw-in pressure hose with 1/2" cap nut
- **1 1/4" pop-up waste**
- Max. flow 6 l/min
- lead-free
- individual rosettes 60 x 60 mm



Surfaces

- | | |
|-----------------|-------------|
| • chrome | 13715782-00 |
| • platinum matt | 13715782-06 |
| • platinum | 13715782-08 |
| • Cyprum | 13715782-49 |

Exploded assembly drawing



Order quantity

No.	Article number	Name	Installation quantity
1	90282215501ff	spout	1
2	092778034ff	rosette	1
3	0911100541090	connection	1
4	09141013090	seal	1
5	0911100551090	connection	1
6	0430040160090	hose	2
7	0423100090190	fixing set	1
8	09141006090	seal	1
9	09312006590	plug	1
10	04233004000ff	threaded connector	2
11	10125970ff	pop-up waste	1

Flow rate chart

