

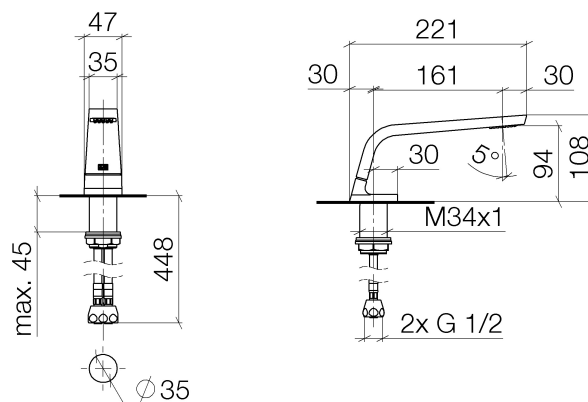


Product specifications

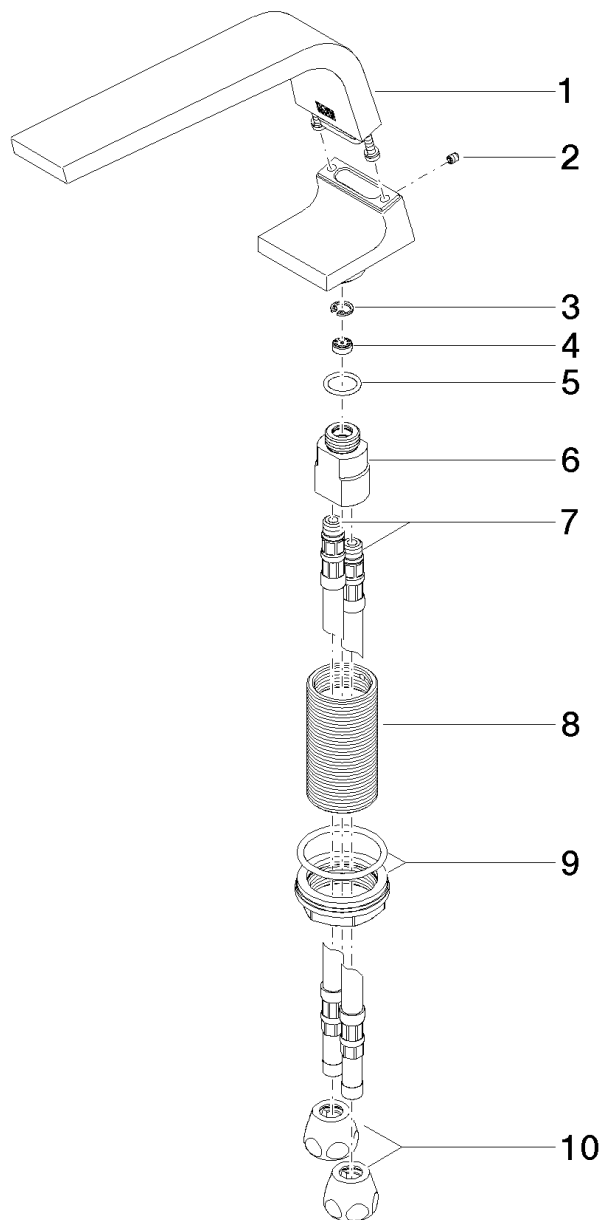
- **160 mm projection**
- fixed spout
- Spray pad 50 x 33 mm
- height of mixer 108 mm
- height up to aerator 94 mm
- hole diameter 35 mm
- 2x M 10 x 1 screw-in high pressure hose
- **without pop-up waste**
- Max. flow 4 l/min
- lead-free

Surfaces

- chrome 13714705-00
- platinum matt 13714705-06



Exploded assembly drawing



Order quantity

No.	Article number	Name	Installation quantity
1	90117000200ff	spout	1
2	09311104490	pin	1
3	09160101690	ring	1
4	09230103490	flow reducer	1
5	09141013090	seal	1
6	0911100551090	connection	1
7	0430040160090	hose	2
8	09300120890	connection	1
9	0423100440690	fixing set	1
10	04233004000ff	threaded connector	2

Flow rate chart

