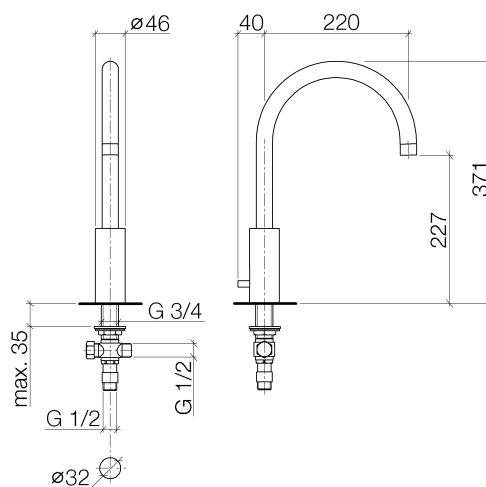




Product specifications

- **220 mm projection**
- pivotable spout 180°
- M 22 x 1 aerator – female thread
- back flow preventer in shower outlet
- automatic bath/shower diverter
- height of mixer 370 mm
- height up to aerator 230 mm
- hole diameter 32 mm
- deck mounting

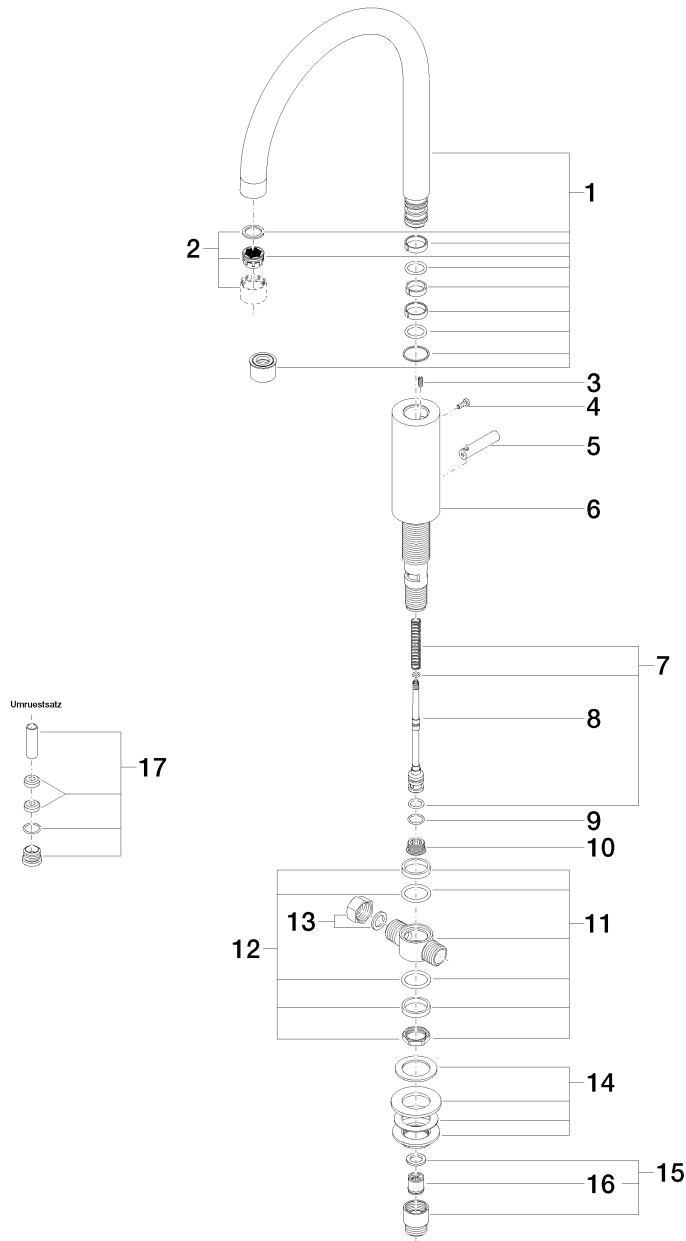
Intrinsic protection against back flow.



Surfaces

- chrome 13512885-00
- platinum matt 13512885-06

Exploded assembly drawing



Order quantity

No.	Article number	Name	Installation quantity
1	90282216601ff	spout	1
2	90230102400ff	aerator	1
3	09311106190	pin	1
4	09303005490	screw	1
5	092033030ff	handle	1
6	04111004900ff	connection	1
7	9016020040090	spring	1
8	04310903000ff	pull-rod	1
9	09141002190	seal	1
10	09240408190	nipple	1
11	0417110201090	distributor	1
12	9023100120090	gasket kit	1
13	0421020060092	cap	1
14	0423100040190	fixing set	1
15	0424030240190	nipple	1
16	09230104090	back-flow preventer	1
17	9028220100090	conversion kit	1

Flow rate chart

