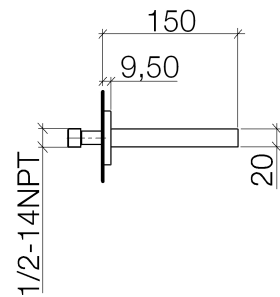
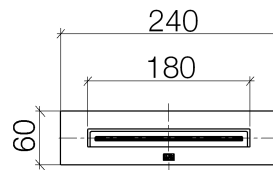




Product specifications

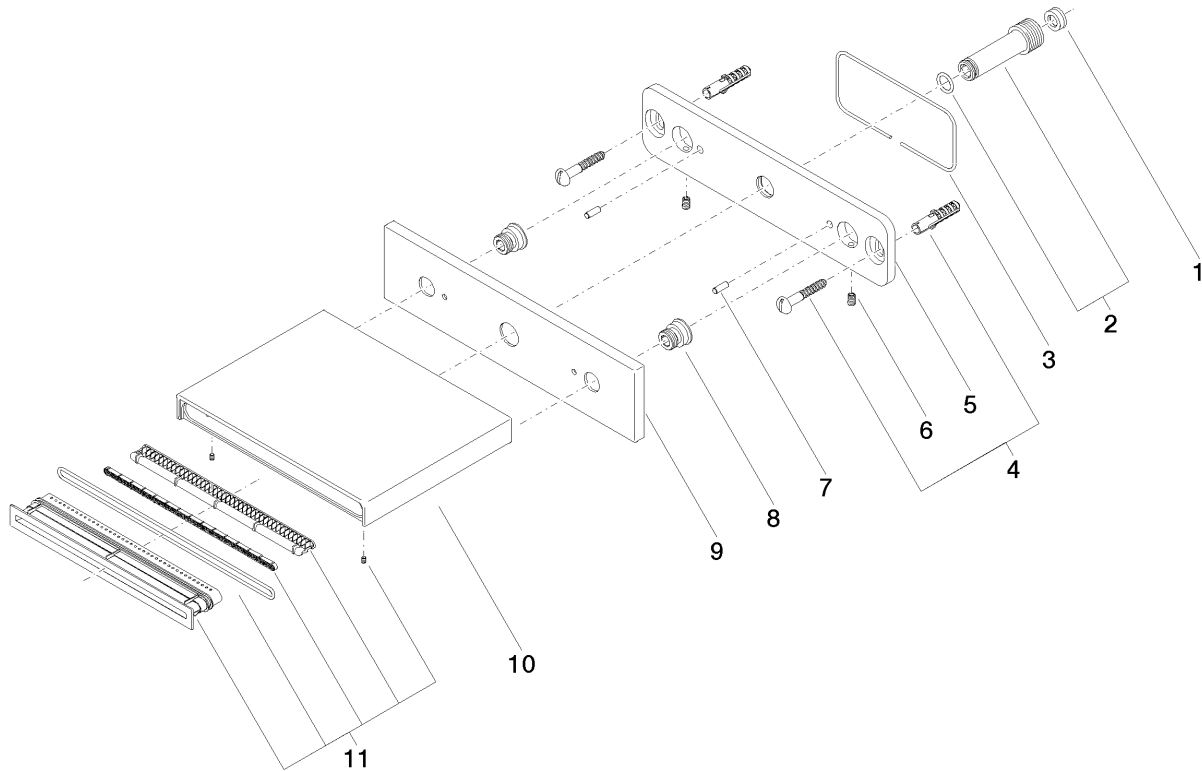
- **150 mm projection**
- cover plate 240 x 60 mm
- 1/2" connection
- Plug-link mounting
- Manual control by xTOOL or xSTREAM
- Max. flow 26.5 l/min



Surfaces

- | | |
|-----------------|-------------|
| • chrome | 13415979-00 |
| • platinum matt | 13415979-06 |
| • platinum | 13415979-08 |
| • Cyprum | 13415979-49 |

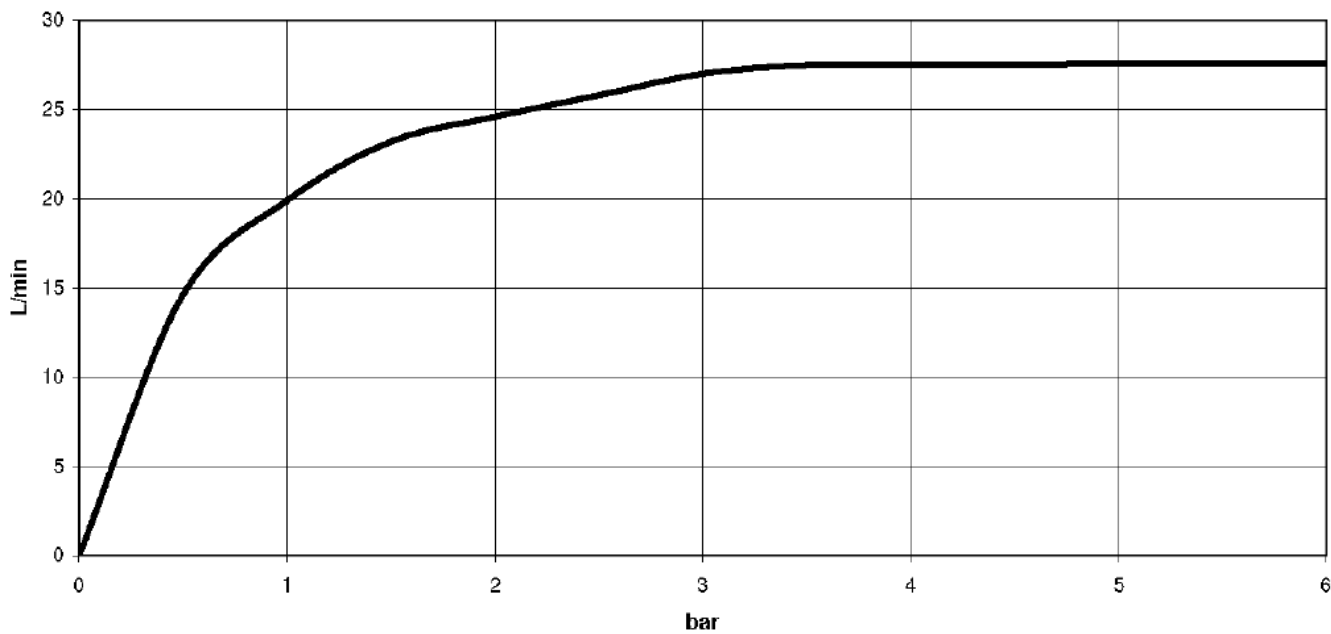
Exploded assembly drawing



**Order quantity**

No.	Article number	Name	Installation quantity
1	09230105790	flow reducer	1
2	9024032130090	connection	1
3	09140313490	seal	1
4	0430310240190	fixing set	1
5	09179705990	holder	1
6	09311103690	pin	2
7	09311104090	pin	2
8	09240321490	nipple	2
9	092778031ff	rosette	1
10	091178003ff	spout	1
11	9029030590090	insert	1

Flow rate chart



Trajectory diagram

