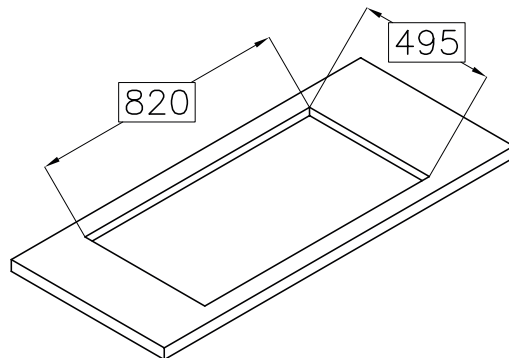
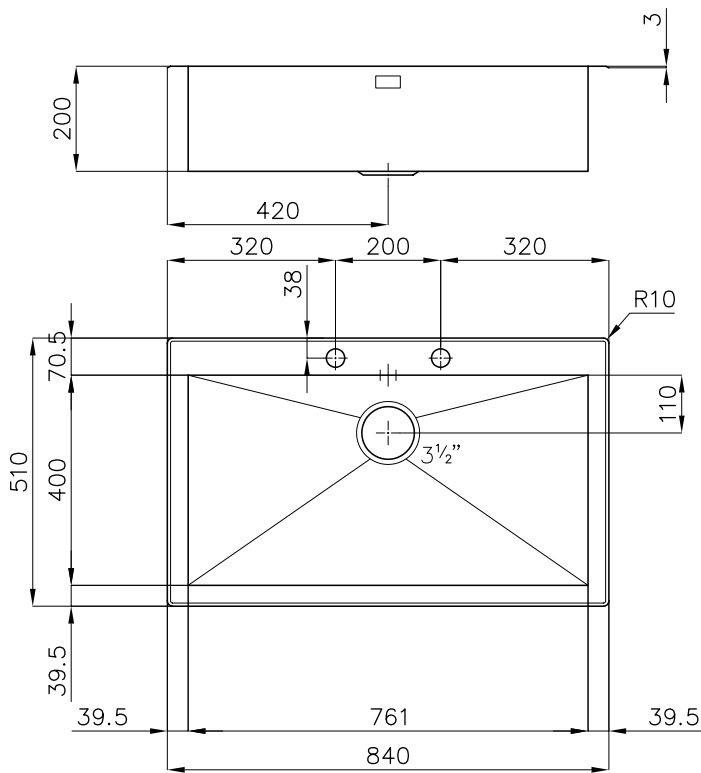


Quadra.1V.76x40.SF



cod. 1219 050



www.fosterspa.com